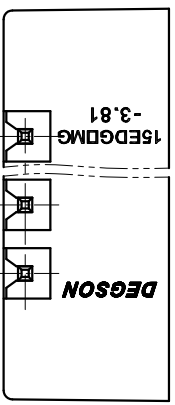
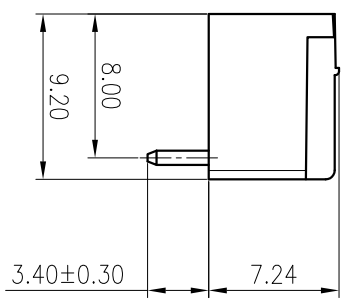
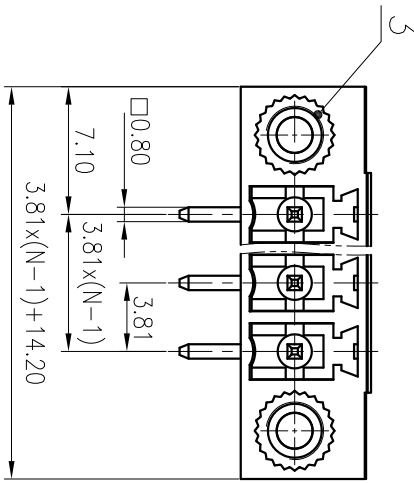
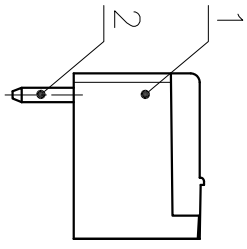
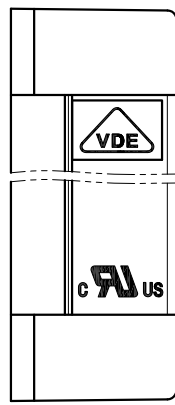
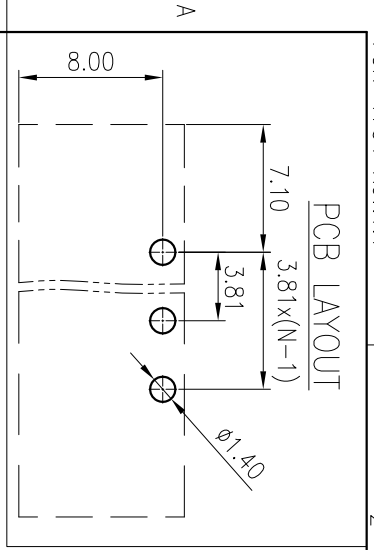


未注公差/General Tolerances(mm)												0.1/10	
0	>3	>6	>10	>18	>30	>50	>80	>120	>180	>250	>315	>400	EZ
3	6	10	18	30	50	80	120	180	250	315	400		
±0.12/±0.18												±0.22	
±0.22/±0.26												±0.31	
±0.37/±0.57												±0.80	
±1.05/±1.19												±1.60	
±2.20/±2.50													



3	Nut	Copper alloy	/
2	Pin	Copper alloy	Sn Plated
1	Housing	PA66	UL94V-0
ITEM	NAME OF PART	MATERIAL	NOTES

UL 标准/UL Standard:	B	C	D
额定电压/Rated Voltage(V)	300/8	/	300/8
EC 标准/EC Standard:			
过压类别/Overvoltage Category/污染等级	III/3	III/2	II/2
额定电压/电涌/Rated Voltage(V)/Current(A)	/	250/7	/
额定脉冲电压(KV)/Rate Impulse Voltage(KV)	/	2.5	/
间距/Pitch(mm)/线数范围/Poles	3.81/N=02~20P		
使用温度范围/Operating temperature(°C)	-40~+105		
符合RoHS环保要求/Conform to RoHS	Yes		

MATERIAL: SURFACE:  
 MAT NO.: /  
 STATUS: /  
 APPD: Lon Chh 2020.05.23  
 CHKD: /  
 DRAFT: Ethon 2016.11.11  
 TYPE: CUSTOMER DRAWING  
 SCALE: 2.5:1 SHEET 1/1

NAME: 15EDGRMG-3.81-XXP-1Y-00A(H)  
 DRAWING NO.: 15EDGRMG-3.81-C01  
 REV: DD-1

NINGBO DEGSON ELECTRICAL CO., LTD  
 宁波高松电子有限公司

REV	ECN	DESCRIPTION	DRAFT	DATE	SIZE: A4	SCALE: 2.5:1	SHEET 1/1
-----	-----	-------------	-------	------	----------	--------------	-----------