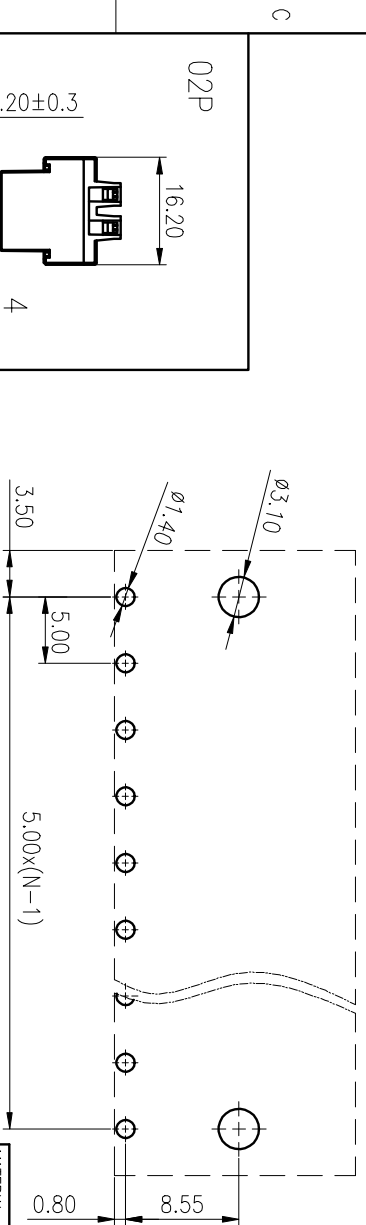
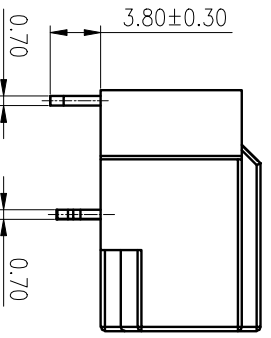
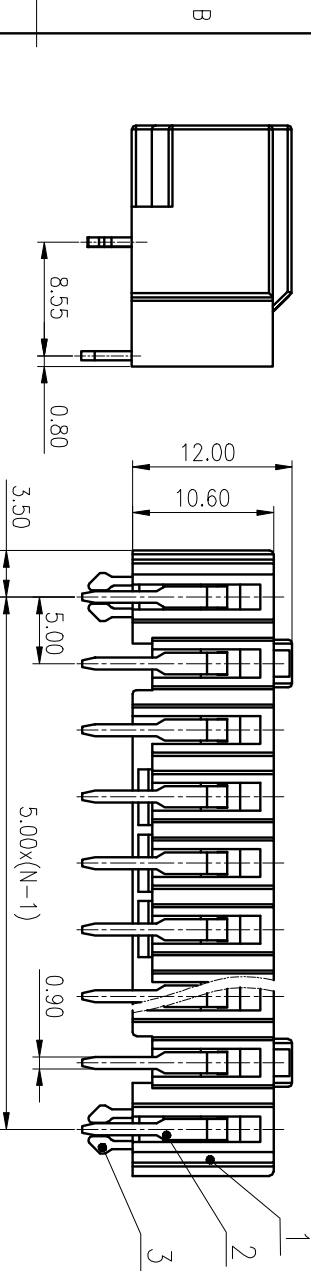
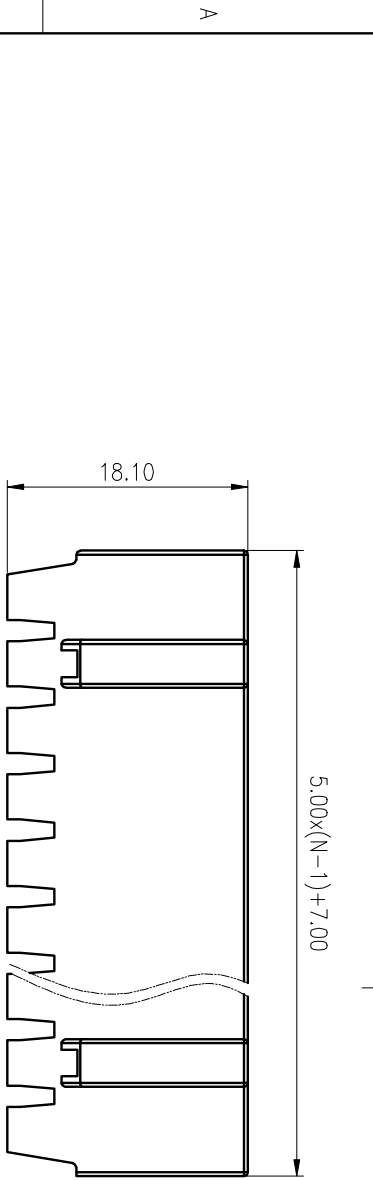


公差等级/General	Tolerances(mm)															公差等级/General	
0	>3	>6	>10	>18	>30	>50	>80	>120	>180	>250	>315	>400	>500	>630	>800	>1000	0.1/10
~	~	~	~	~	~	~	~	~	~	~	~	~	~	~	~	~	±
±	±0.12	±0.18	±0.22	±0.26	±0.31	±0.37	±0.57	±0.80	±0.93	±1.05	±1.15	±1.60	±2.20	±2.50	±3.15	±4.00	±2



PCB LAYOUT

MATERIAL: /		SURFACE: /	
MAT NO.:	/	NINGBO DEGSON ELECTRICAL CO., LTD	
STATUS:	/		
APPD: LI QL	2020.03.30	NAME: 9EDGRC-5.0-XXP-1Y-00A(H)	
CHKD: MaEK	2020.03.30	DRAWING NO.: 9EDGRC-5.0-C02	
DFT: WangW	2020.03.30	TYPE: CUSTOMER DRAWING	
REV	ECN	DESCRIPTION	DATE
1			

ITEM	NAME OF PART	MATERIAL	NOTES
1	Housing	PA66-GF	UL94V-0
2	Pin header	Copper alloy	Sn Plated
3	Mount	Copper alloy	Sn Plated
4	Pin	Copper alloy	Sn Plated

UL 标准/UL Standard:	B	C	D
额定电压/额定 Rated Voltage(V)/Current(A)	300/14.5	/	300/10
IEC 标准/IEC Standard:			
过压类别/Overvoltage Category/污染等			
绝缘/Insulation Degree	III/3	III/2	II/2
额定电压/额定 Rated Voltage(V)/Current(A)	160/20	160/20	320/20
额定短路电流/额定 Rate Impulse Voltage(KV)	4	4	4
额定电压/额定 Rated Voltage(V)/Current(A)	0.2~2.5/28~14		
柔性/柔性 (mm <sup>2</sup> /AWG)			
间距/间距 (mm)/Pitch (mm)/导线间距/Poles	5.0/N=N-02~14P		
工作温度范围/Operating temperature(°C)	-40~+105		
符合RoHS要求/Conform to RoHS	Yes		

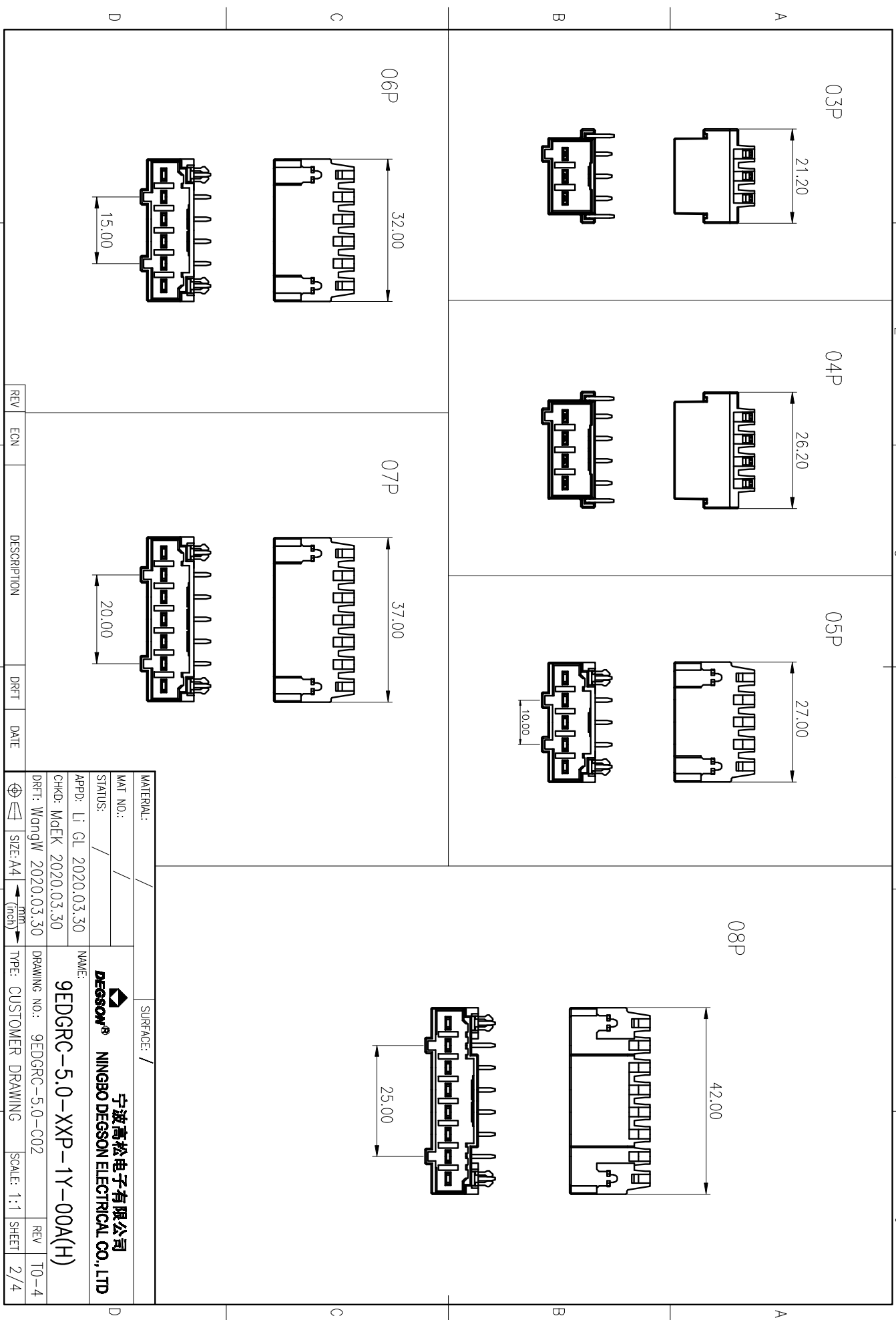
NINGBO DEGSON 宁波德松电子有限公司

9EDGRC-5.0-XXP-1Y-00A(H)

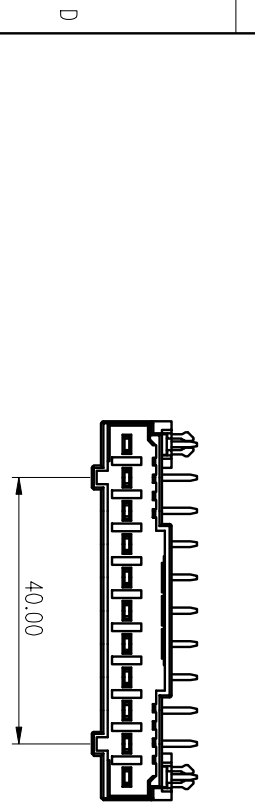
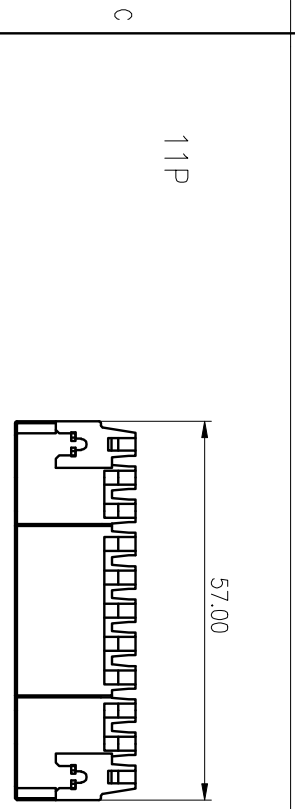
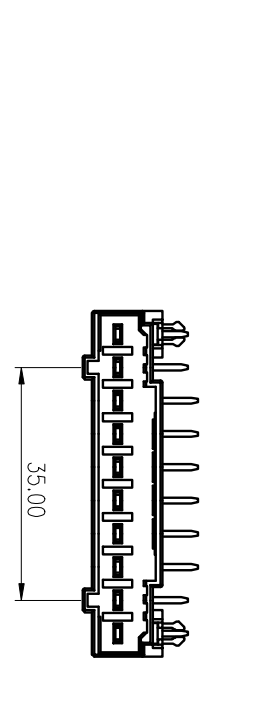
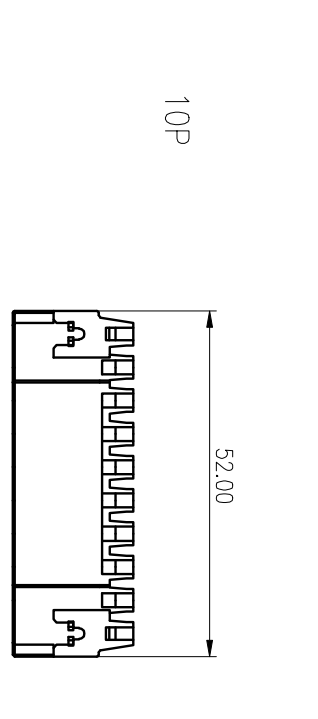
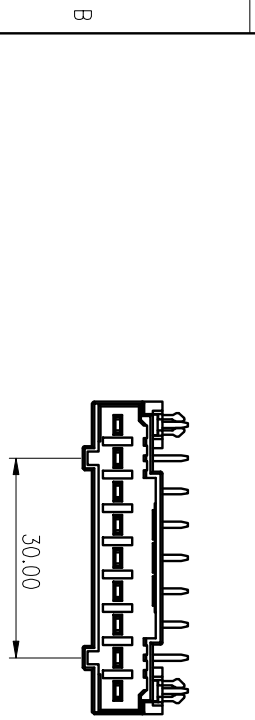
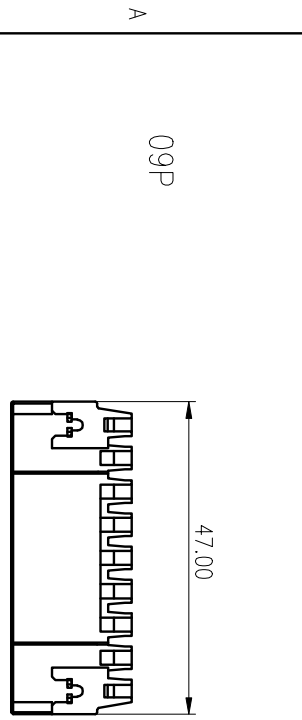
DRAWING NO.: 9EDGRC-5.0-C02

TYPE: CUSTOMER DRAWING

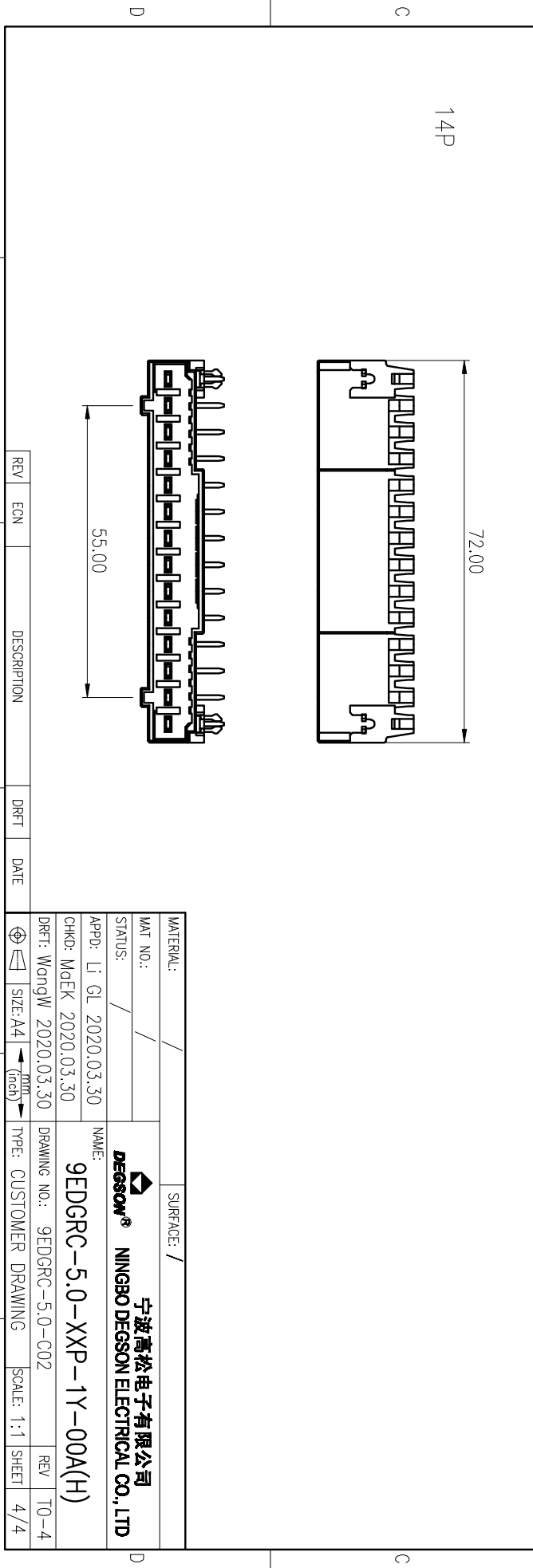
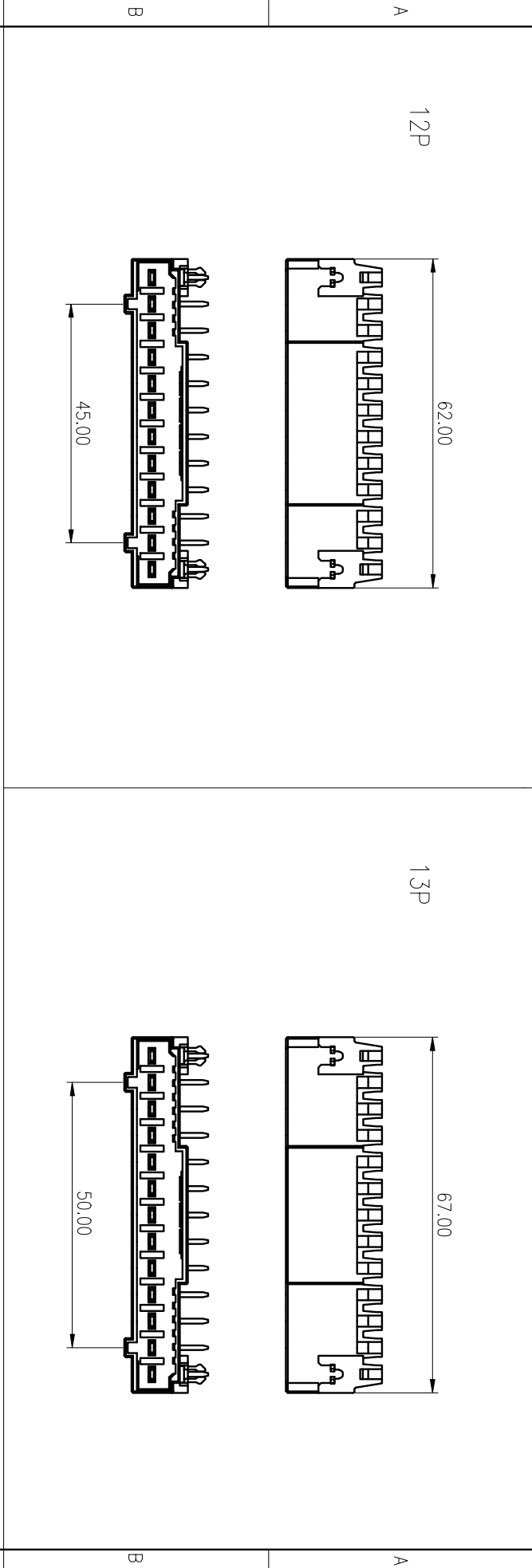
SCALE: 2:1 SHEET 1/4



REV	ECN	DESCRIPTION	DRAFT	DATE	MATERIAL:	SURFACE: /
MAT NO.: / STATUS: / APPD: LI GL 2020.03.30 CHKD: MaEK 2020.03.30 DFT: WangW 2020.03.30					NAME: <b>DEGSON</b> 宁波高松电子有限公司 NINGBO DEGSON ELECTRICAL CO., LTD	
DFT: WangW 2020.03.30 TYPE: CUSTOMER DRAWING					DRAWING NO.: 9EDGRC-5.0-C02 NAME: 9EDGRC-5.0-XXP-1Y-00A(H)	
SIZE: A4 (mm) (inch)					SCALE: 1:1 SHEET 2/4	



MATERIAL: /		SURFACE: /	
MAT NO.:	/	<b>NINGBO DEGSON ELECTRICAL CO., LTD</b> 宁波高松电子有限公司	
STATUS:	/		
APPD: LI QL	2020.03.30		
CHKD: MaEK	2020.03.30		
NAME: 9EDGRC-5.0-XXP-1Y-00A(H)		DRAWING NO.:	9EDGRC-5.0-C02
DRAFT: WangW		2020.03.30	TYPE: CUSTOMER DRAWING
REV	ECN	DESCRIPTION	DRAFT
DATE	SIZE: A4	SCALE: 1:1	SHEET
	(mm)		3/4
	(inch)		



REV	ECN	DESCRIPTION	DRAFT	DATE	MATERIAL:	SURFACE: /
1					MAT NO.: /	
2					STATUS: /	
3					APPD: LI GL 2020.03.30	NAME: <b>DEGSON®</b> 宁波高松电子有限公司 NINGBO DEGSON ELECTRICAL CO., LTD
4					CHKD: MaEK 2020.03.30	9EDGRC-5.0-XXP-1Y-00A(H)
					DRAFT: WangW 2020.03.30	DRAWING NO.: 9EDGRC-5.0-C02
					SIZE: A4	TYPE: CUSTOMER DRAWING
					SCALE: 1:1	REV TO-4
						4/4