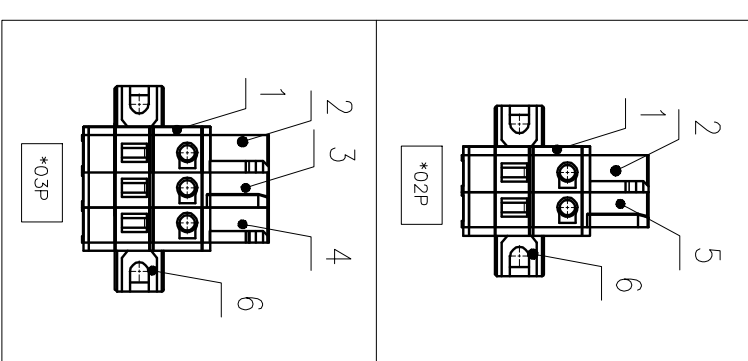
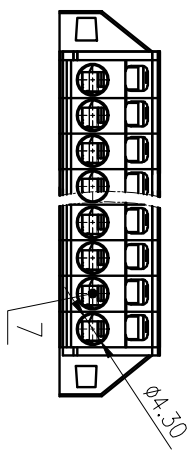
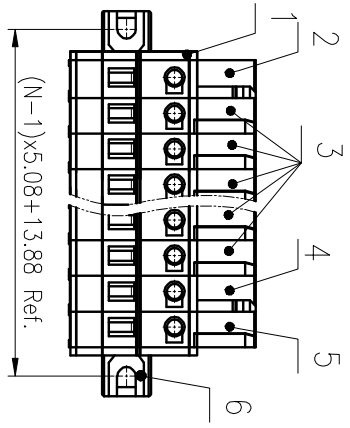
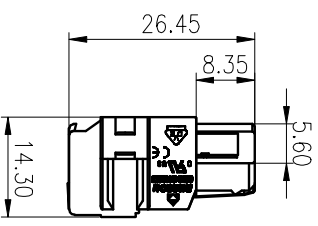
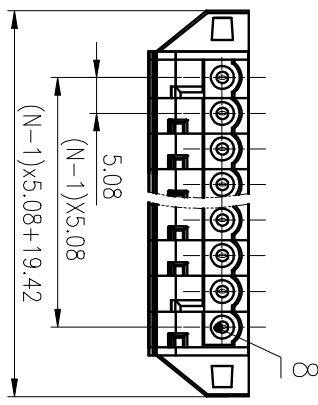


Pitch Range		In		Nominal Dimension		Range		Range	
mm	mm	mm	mm	mm	mm	mm	mm	mm	mm
Over 6	Over 10	Over 30	Over 60	Over 100	Over 150	0.1/10			
TO 6	TO 10	TO 30	TO 60	TO 100	TO 150	≤			
±0.15	±0.20	±0.30	±0.50	±0.70	±1.00	±1.30	±2°		



ITEM	NAME OF PART	MATERIAL	NOTES
1	Cover 1	PA66	UL94V-0
2	Side Housing 1	PA66	UL94V-0
3	Middle Housing 1	PA66	UL94V-0
4	Middle Housing 2	PA66	UL94V-0
5	Side Housing 2	PA66	UL94V-0
6	Cover 2	PA66	UL94V-0
7	Spring	Stainless Steel	
8	Clamp	Copper alloy	Sn Plated

UL 标准 / UL Standard:	B	C	D
额定电压/电涌 / Rated Voltage(V)/Current(A)	300	151	150/151
300/710			
IEC 标准 / IEC Standard:			
过压类别 / Overvoltage Category / 污染等级 / Pollution Degree	III / 3	III / 2	II / 2
额定电压/电涌 / Rated Voltage(V)/Current(A)	320/20	/	/
额定冲击电压 / Rate Impulse Voltage(kV)	4	/	/
线芯范围 (硬线和软线) / Wire Range(rigid and flexible)(mm ² /AWG)	0.2~2.5/22~14		
间距 / Pitch(mm) / 线芯范围 / Poles	5.08 / N=02~24P		
剥线长度 / Stripping Length(mm)	9~10		
使用温度范围 / Operating Temperature(°C)	-40~+105		
符合RoHS环保要求 / Conform to RoHS	Yes		
标准颜色编号 / Standard color number:	PANTONE 482C		

MATERIAL: /
 SURFACE: /
 MAT NO.: /
 STATUS: /
 APPD: /
 CHKD: /

NAME: **DEGSON® NINGBO DEGSON ELECTRICAL CO., LTD**
8EDGKMB-5.08-XXP-11-1001A(H)

DRAWING NO.: 8EDGKMB-5.08-1000-C02
 TYPE: CUSTOMER DRAWING
 SCALE: 1:1
 SHEET 1/1

REV	ECN	DESCRIPTION	DRAFT	DATE

