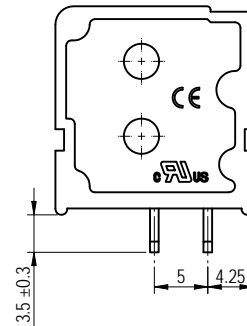
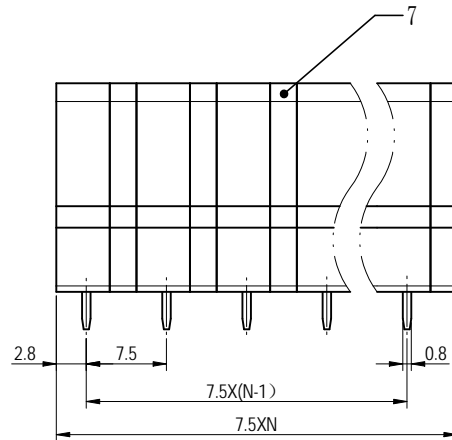
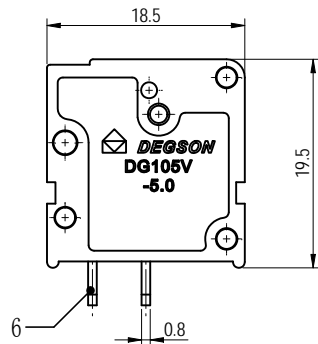
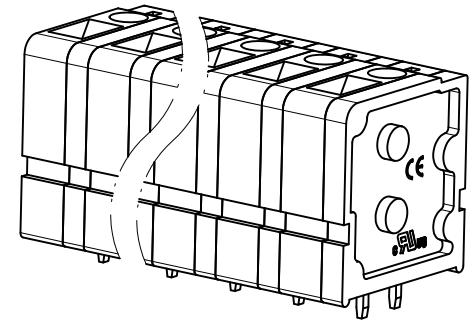
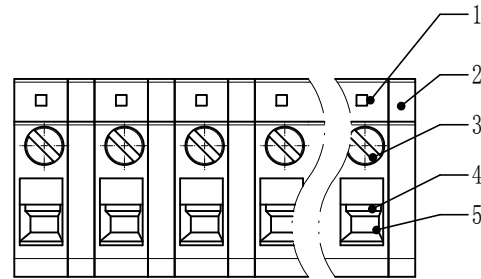
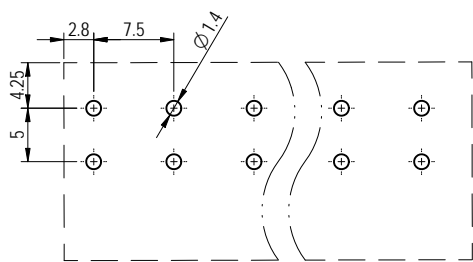


公差/General tolerances (mm)													D 0.1/10	
0	>3	>6	>10	>18	>30	>50	>80	>120	>180	>250	>315	>400		>500
±0.12	±0.18	±0.22	±0.26	±0.31	±0.37	±0.57	±0.80	±0.93	±1.05	±1.15	±1.60	±2.20	±2.50	±2



PCB LAYOUT



Note:
The A&Z(H) in the name means: A(H) and Z(H).

ITEM	NAME OF PART	MATERIAL	NOTES
7	Clapboard	PA66	UL94V-0
6	Pin header	Copper	Sn Plated
5	Cage	Steel	M2.5/Zn Plated
4	Block	Steel	Zn Plated
3	Screw	Steel	M2.5/Zn Plated
2	Cover	PA66	UL94V-0
1	Housing	PA66	UL94V-0

UL 标准/UL Standard:	B	C	D
额定电压/电流/Rated Voltage(V)/Current(A)	300/20	/	300/10
IEC 标准/IEC Standard:			
过压类别/Overvoltage Category/污染等级/Pollution Degree	III/3 III/2 II/2		
额定电压/电流/Rated Voltage(V)/Current(A)	/ / 450/24 /		
工频耐压/Withstanding voltage(V/1Min)	AC2500		
螺丝扭矩/Torque Tightening(N·m/Lb.in)	M2.5: 0.4/3.54		
线径范围(硬线和软线)/Wire Range(rigid and flexible)(AWG/mm²)	30~12 / 0.5~2.5		
间距/Pitch(mm)/线数范围/Poles	7.5/N=02~12P		
剥线长度/Stripping length(mm)	12~13		
使用温度范围/Operating temperature(°C)	-40~+105		

DIEGSON MATERIAL: SURFACE/COLOR:
 MAT NO./REV: / 00 MAT STATUS: 批量

APPD: 兰春华 2022.09.26 NAME
 CHKD: 陈超 2022.09.22
 DRFT: 姜徐涛 2022.09.22

DWG NO. 200029051 TYPE CUSTOMER DRAWING DRAWING STATUS 已发布 SCALE 5:1 SHEET 1/1

DG105V-7.5-XXP-1Y-00A&Z(H)

REV	ECN	DESCRIPTION	DRFT	DATE
00				2022.09.22

Transfer or duplication of this document as well as the utilization of its contents in any form without the written permission of Diegson Technology Co., Ltd. is strictly prohibited. All rights reserved for patent. 本文件及其内容之复制或在本文件内容之基础上进行任何形式的再复制或再生产，均须事先取得迪格森科技股份有限公司之书面许可。迪格森保留所有权利。未经许可，不得复制或再生产本文件及其内容。如有违反，将依法追究法律责任。