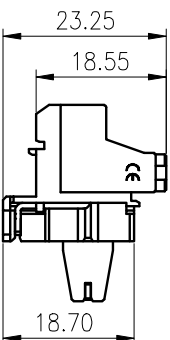
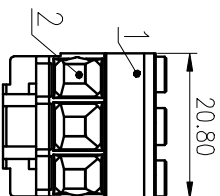
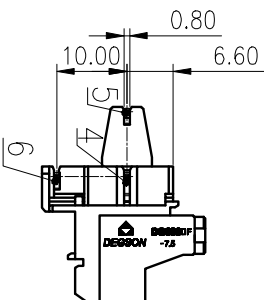
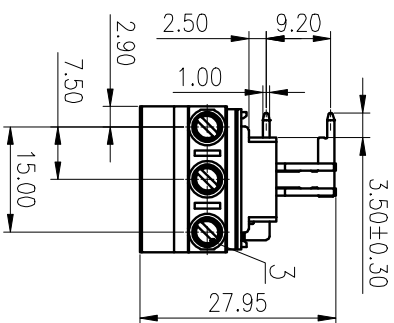
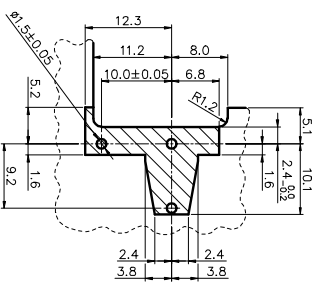


精度等级/General Tolerances(mm)	0	>3	>6	>10	>18	>30	>50	>80	>120	>180	>250	>315	>400	>500	0.1/1/10
~	~	~	~	~	~	~	~	~	~	~	~	~	~	~	~
±0.12	±0.18	±0.22	±0.26	±0.31	±0.37	±0.57	±0.80	±0.93	±1.05	±1.15	±1.60	±2.20	±2.50	±Z	±Z



PCB LAYOUT



REV	(T1)	ECN	Drawing update	DRAFT	DATE	2020.05.19	ChenZh
DESCRIPTION	Drawing update						
MATERIAL:	SURFACE: /						
MAT NO.:	/						
STATUS:	/						
APPD:	LanChH	2020.05.19	NAME:	NINGBO DEGSON ELECTRICAL CO., LTD			
CHKD:	YUJZ	2020.05.19	NAME:	DG636LF-7.5-03P-1Y-00A(H)			
DFT:	Kevin	2017.10.23	DRAWING NO.:	DG636LF-7.5-C01			
SIZE:	A4	(mm)	TYPE:	CUSTOMER DRAWING			
SCALE:	2:1			REV	T1		
SHEET	1/1			REV	T1		

ITEM	NAME OF PART	MATERIAL	NOTES
1	Housing	PA66	UL94V-0
2	Cage	Copper alloy	M3/Ni Plated
3	Screw	Steel	M3/Zn Plated
4	Pin header-1	Copper	Sn Plated
5	Pin header-2	Copper	Sn Plated
6	Pin header-3	Copper	Sn Plated

UL 标准/UL Standard:	B	C	D
额定电压/电流/Rated Voltage(V)/Current(A)	300/20	300/20	600/5

IEC 标准/IEC Standard:	III/3	III/2	II/2
过压类别/Overvoltage Category/污秽等级/Pollution Degree	III/3	III/2	II/2
额定电压/电流/Rated Voltage(V)/Current(A)	600/24	630/24	1000/24
额定脉冲电压(KV)/Rate Impulse Voltage(KV)	6.0	6.0	6.0
螺丝扭矩/Torque Tightening(N·m/Lb.in)	M3, 0.6/5.32		
线径范围(硬线和软线)/Wire Range(rigid and flexible)(mm <sup>2</sup> /AWG)	0.2~2.5/30~12		
剥线长度/Stripping length(mm)	8		
使用温度范围/Operating temperature(°C)	-40~+105		
符合RoHS环保要求/Conform to RoHS	Yes		