

REVISION RECORD				
REV	ECN	DESCRIPTION	DRFT	DATE

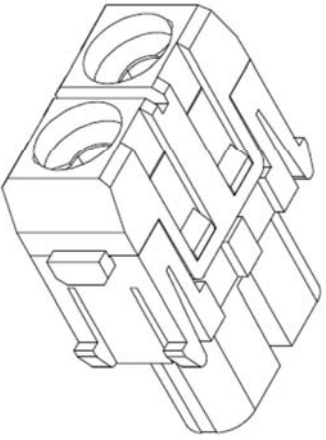
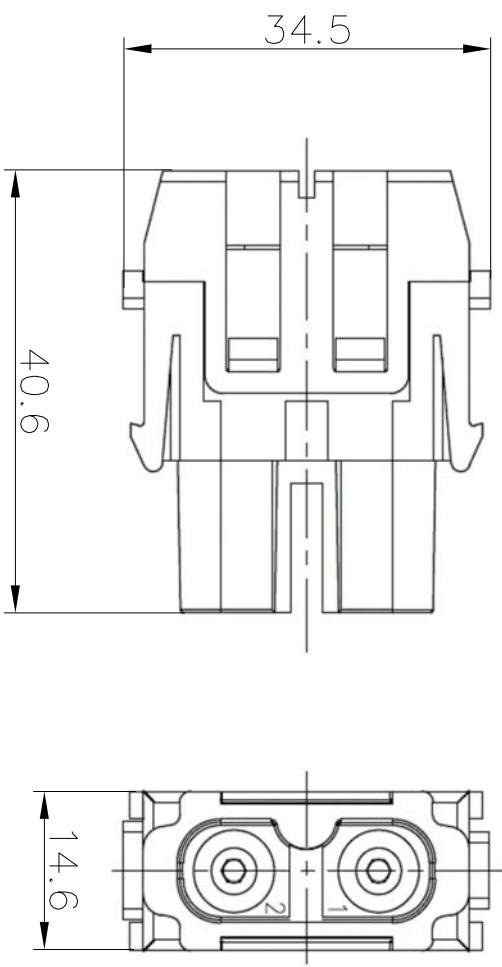
Technical characteristics:  
 Specifications  
 DIN EN 60 664  
 DIN EN 61 984

Inserts

01. Number of contacts :2
02. Rated Current :40A
03. Rated Voltage :1000V
04. Pollution degree :3
05. Rated impulse voltage :8kv<sup>10</sup>
06. Insulation resistance :≥10Ω
07. Material:Polycarbonate
08. Rated voltage acc. to UL:600V
09. Limiting temperatures : -40℃~+125℃
10. Flammability acc. to UL94:V0
11. Mechanical working life (mating cycles) : ≥500

Contacts

01. Material:Copper alloy
02. Surface:hard-silver plated
03. Contact resistance : ≤1mΩ
04. Terminal :Axial screw terminal
05. Wire gauge :2.5-8mm<sup>2</sup>
06. Hexagonal driver:SW2
07. Stripping length :6~11mm
08. Tightening torque :1.5-2Nm
09. Rohs Compliance



DETACHED LISTS			
PART NO.:	/	NAME:	<b>DEGSON</b> ® NINGBO DEGSON ELECTRICAL CO., LTD 宁波高松电子有限公司
APPD:		DMK-002-F(2.5-8mm <sup>2</sup> )	
CHKD:		TITLE: CUSTOMER DRAWING	REV DO-1
DRFT: YONG	2016.08.22	DRAWING NO.:	SHEET 1/1
THIRD ANGLE PROJECTION		DO NOT SCALE DRAWING	SCALE 1.5:1