

REVISION RECORD				
REV	ECN	DESCRIPTION	DRFT	DATE

Technical characteristics:
 Specifications
 DIN EN 60 664
 DIN EN 61 984

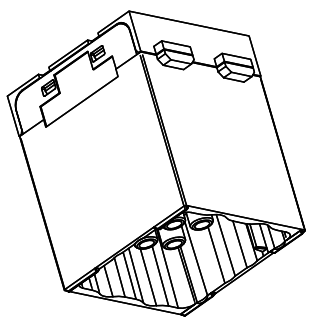
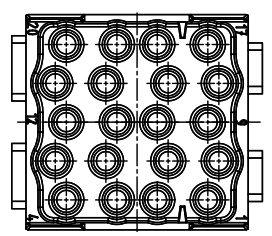
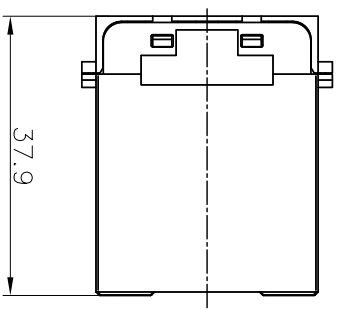
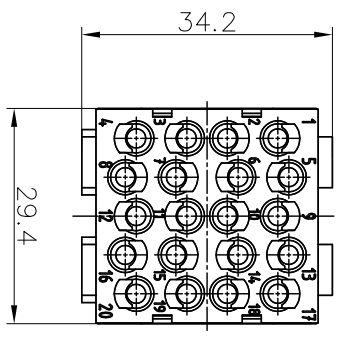
Inserts

- 01. Number of contacts :20
- 02. Rated Current :16A
- 03. Rated Voltage :500V
- 04. Pollution degree :3
- 05. Rated impulse voltage :6kV¹⁰
- 06. Insulation resistance :≥10Ω
- 07. Material:Polycarbonate
- 08. Limiting temperatures : -40℃~+125℃
- 09. Flammability acc. to UL94:V0
- 10. Mechanical working life (mating cycles) : ≥500

Contacts

- 01. Material:Copper alloy
- 02. Surface:hard-silver plated
:hard-Gold plated
- 03. Contact resistance : ≤1mΩ
- 04. Terminal :Crimp terminal
- 05. Wire gauge :0.14-4mm² (AWG 26-12)
- 06. Rohs Compliance

Note:Crimp contact pins should order separately



DETACHED LISTS			
PART NO.:	/	NAME:	DEGSON 宁波高松电子有限公司 NINGBO DEGSON ELECTRICAL CO., LTD
APPD:		DMEE-020-MC	
CHKD:		TITLE: CUSTOMER DRAWING	REV DO-1
DRFT: Mr. YONG	2016.08.22	DRAWING NO.:	SHEET 1/1
		THIRD ANGLE PROJECTION	SCALE 1:1
		DO NOT SCALE DRAWING	

A B C D E F G H

8 7 6 5 4 3 2 1