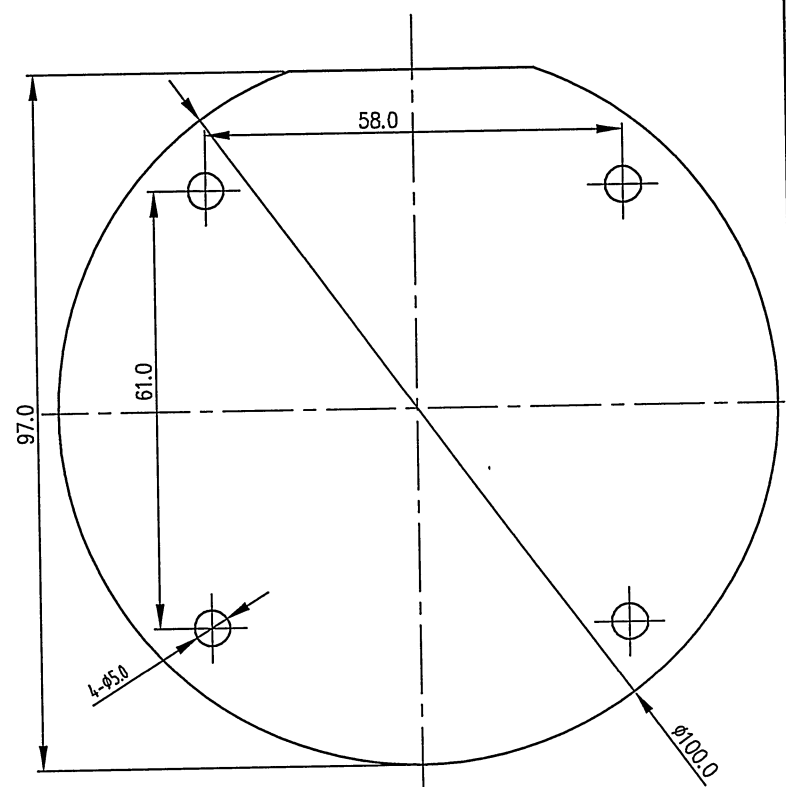
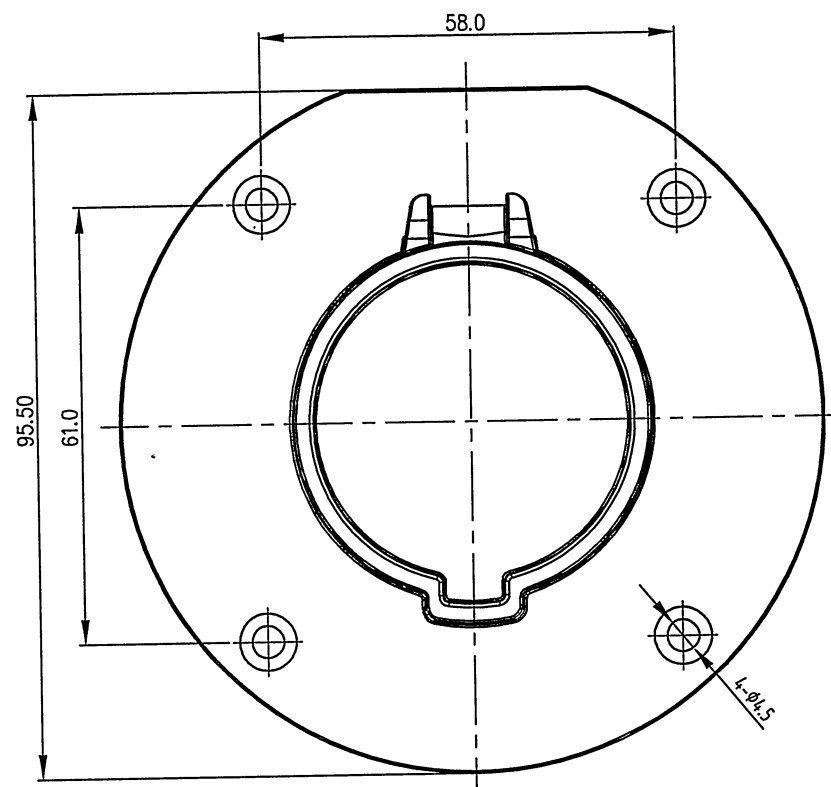
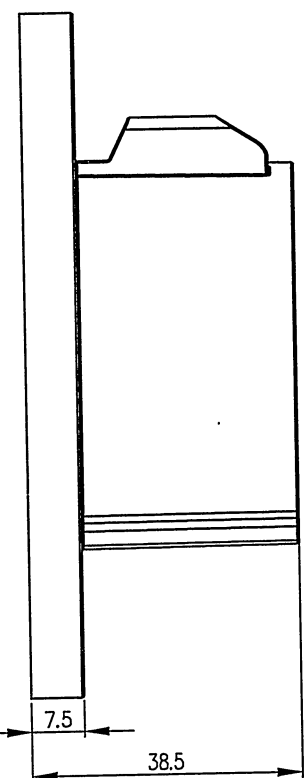


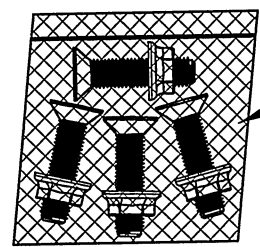
REVISION RECORD				
REV	ECN	DESCRIPTION	DRFT	DATE

H  
G  
F  
E  
D  
C  
B  
A

H  
G  
F  
E  
D  
C  
B  
A



Installation surface aperture requirements



M4\*20mm Material: SUS304  
The mounting screws are individually packaged

Size Measure Range	.XX	.X
≤6	±0.05	±0.10
6~30	±0.10	±0.20
30~120	±0.15	±0.30
120~400	±0.20	±0.50
400~1000	±0.30	±0.80
1000~2000	±0.50	±1.20
Angle Measure Range	.XX	.X
	±0.5°	±1.0°

MATERIAL	FINISHING	NOTES
PART NO:	NINGBO 宁波高松电子有限公司 DEGSON® NINGBO DEGSON ELECTRICAL CO., LTD	
APPD: HIS 2019.7.4	NAME: FAAC-V-03-01AH	
CHKD: LLL 2019.07.03	TITLE: CUSTOMER DRAWING	REV DO-2
DRFT: LLL 2019.07.03	DRAWING NO.: FAAC-V-C01	SHEET 1/1
THIRD ANGLE PROJECTION	MM (INCH)	DO NOT SCALE DRAWING - SCALE 1:1