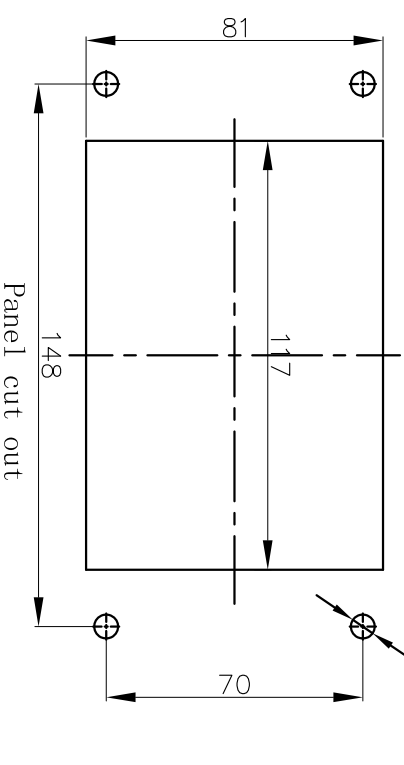
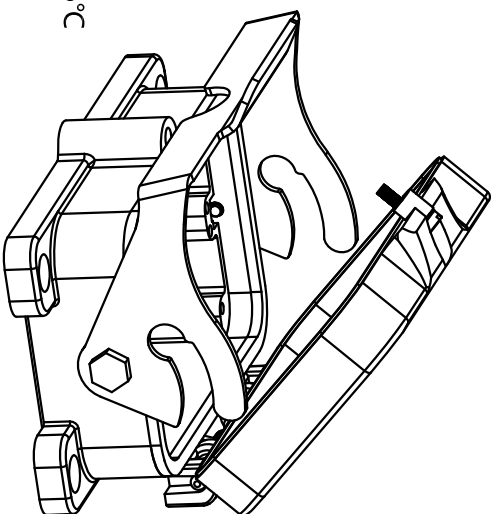
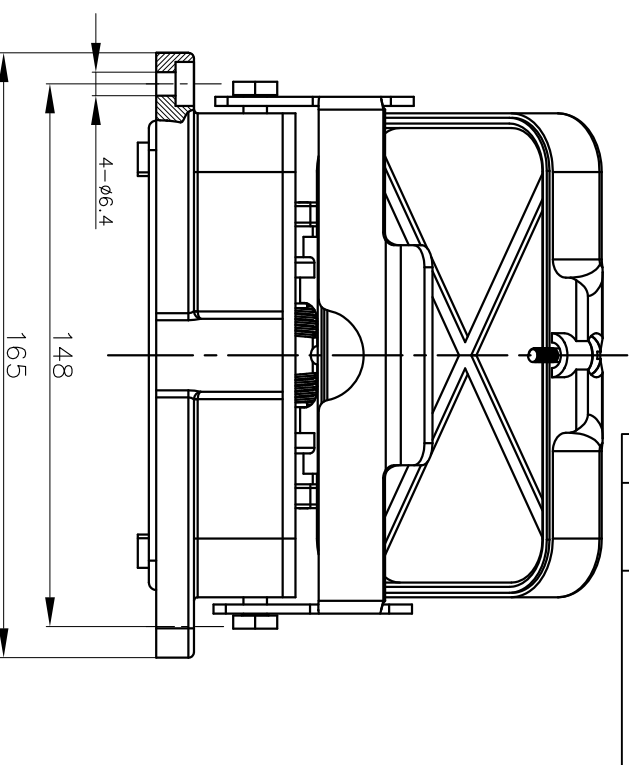
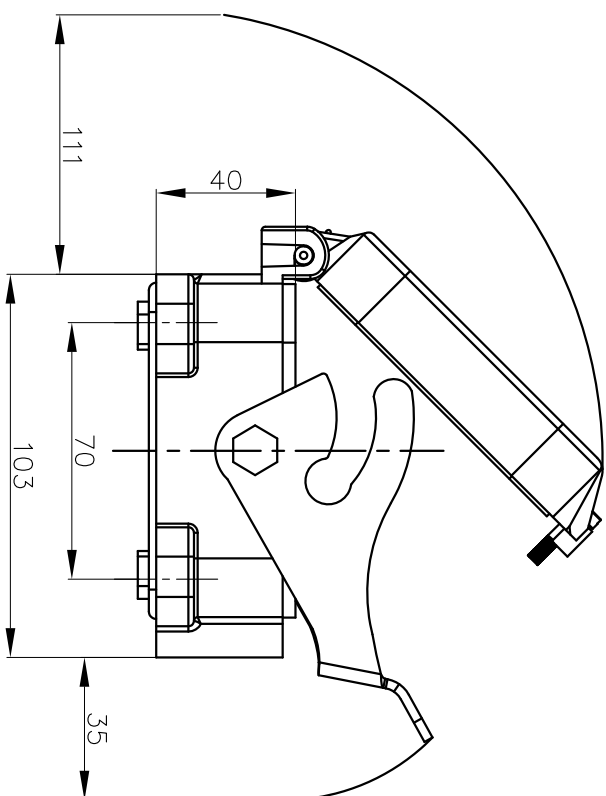


REVISION RECORD				
REV	ECN	DESCRIPTION	DRFT	DATE



Housings Feature

- 01.Material: aluminium die-cast
- 02.Surface: Powder-coated
- 03.Color: grey/(RAL 7037)
- 04.Material: Stainless steel (Lever)
- 05.Sealing: NBR
- 06. Protection Covers: Plastic
- 07.Limiting temperatures: -40°C ~ +125°C
- 08.Flammability acc to UL94: V0
- 09.Degree of protection acc.to EN60529 for coupled connector :IP65
- 10.Rohs compliance

DETACHED LISTS			
PART NO.:	/	NAME:	DEGSON 宁波高松电子有限公司 NINGBO DEGSON ELECTRICAL CO.,LTD
APPD:			D48B-BK-1L-CV
CHKD:		TITLE:	CUSTOMER DRAWING
DRFT:	Mr.yong2016.07.28	DRAWING NO.:	
		THIRD ANGLE PROJECTION	DO NOT SCALE DRAWING
		SCALE	1:1.5

A 8 7 6 5 4 3 2 1