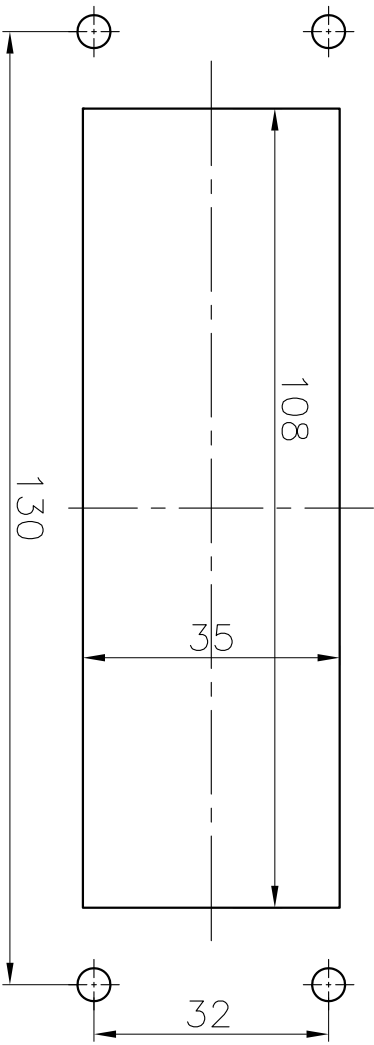
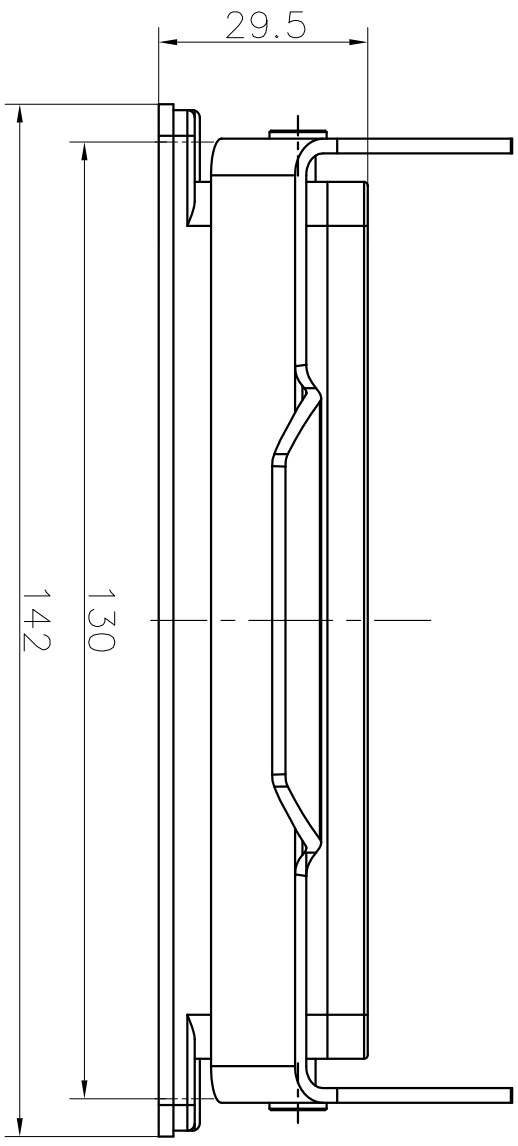
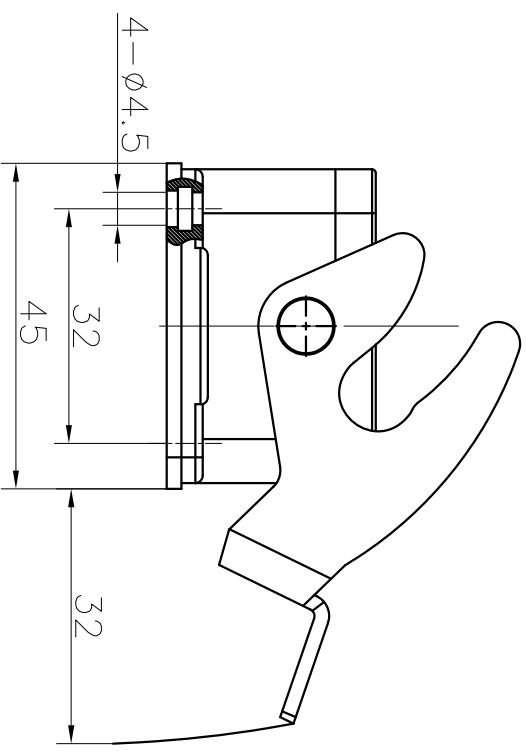
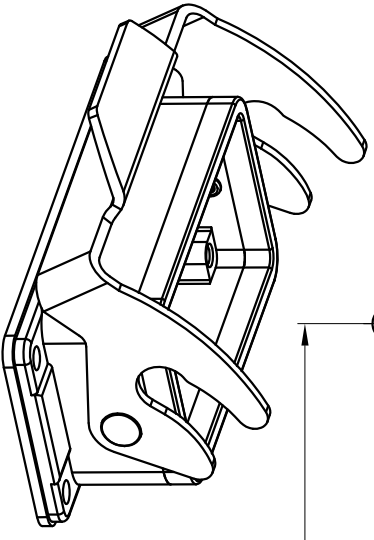


REVISION RECORD				
REV	ECN	DESCRIPTION	DRFT	DATE



Panel cut out

- Housings Feature**
1. Material: aluminium die-cast
  2. Surface: Powder-coated
  3. Color: grey (RAL 7037)
  4. Material: Metal (Lever)
  5. Sealing: NBR
  6. Limiting temperatures: -40°C ~ +125°C
  7. Flammability acc to UL94: V0
  8. Degree of protection acc.to EN60529 for coupled connector : IP65
  9. Rohs compliance



DETACHED LISTS			
PART NO.:	/	NAME:	<b>DEGSON</b> 宁波高松电子有限公司 NINGBO DEGSON ELECTRICAL CO., LTD
APPRD:		TITLE:	CUSTOMER DRAWING
CHKD:		DRAWING NO.:	
DRFT:	M. yong 2017.06.28	REV	DO-1
THIRD ANGLE PROJECTION		SHEET	1/1
		SCALE	1:1

A 8 7 6 5 4 3 2 1