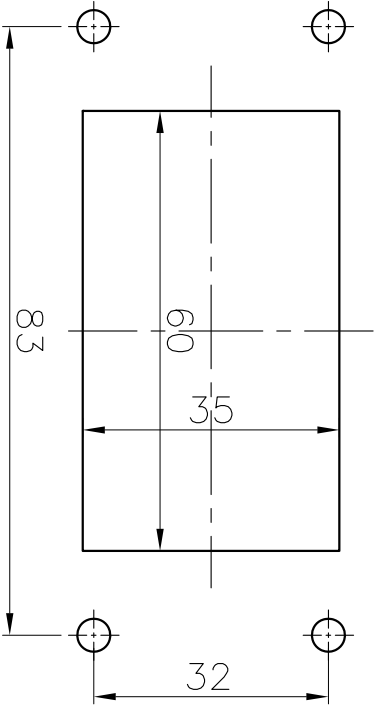
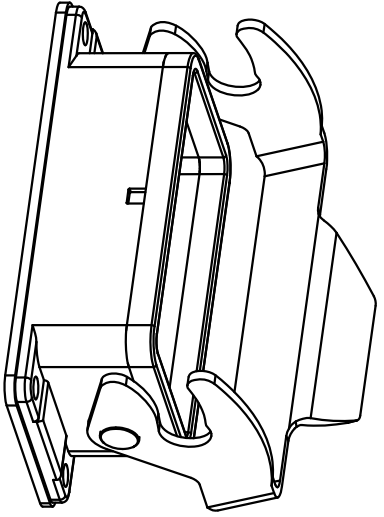
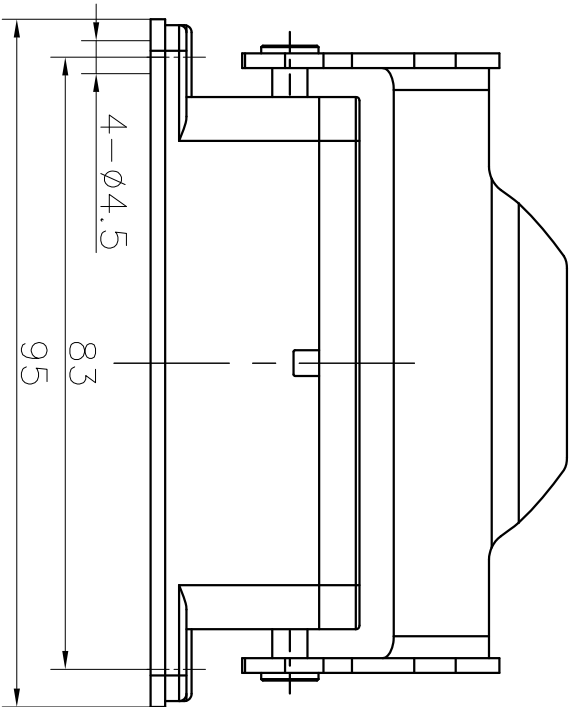
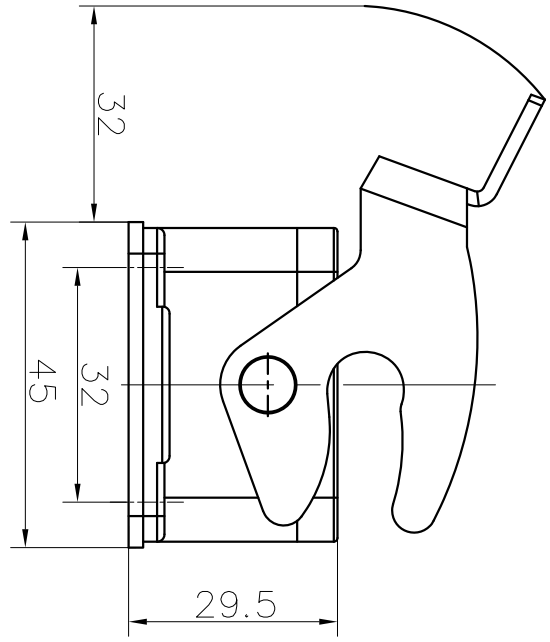


| REVISION RECORD |     |             |      |      |
|-----------------|-----|-------------|------|------|
| REV             | ECN | DESCRIPTION | DRFT | DATE |
|                 |     |             |      |      |



Panel cut out

- Housings Feature**
1. Material: aluminium die-cast
  2. Surface: Powder-coated
  3. Color: grey (RAL 7037)
  4. Material: Metal (Lever)
  5. Sealing: NBR
  6. Limiting temperatures: -40°C ~ +125°C
  7. Flammability acc to UL94: V0
  8. Degree of protection acc.to EN60529 for coupled connector : IP65
  9. Rohs compliance

| DETACHED LISTS |                      |                        |   |
|----------------|----------------------|------------------------|---|
| PART NO.:      | /                    | NAME:                  | <b>DEGSON</b> 宁波高松电子有限公司<br>NINGBO DEGSON ELECTRICAL CO., LTD |
| APPRD:         |                      | CHKD:                  |   |
| DRFT:          | Mr. yding 2017/06/28 | TITLE:                 | CUSTOMER DRAWING  |
|                |                      | DRAWING NO.:           |   |
|                |                      | THIRD ANGLE PROJECTION | DO NOT SCALE DRAWING  |
|                |                      | SCALE                  | 1:1   |