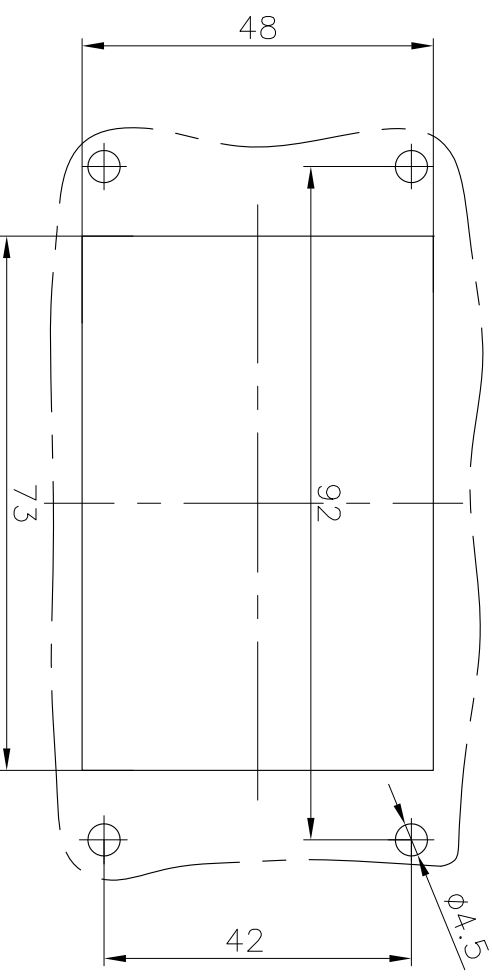
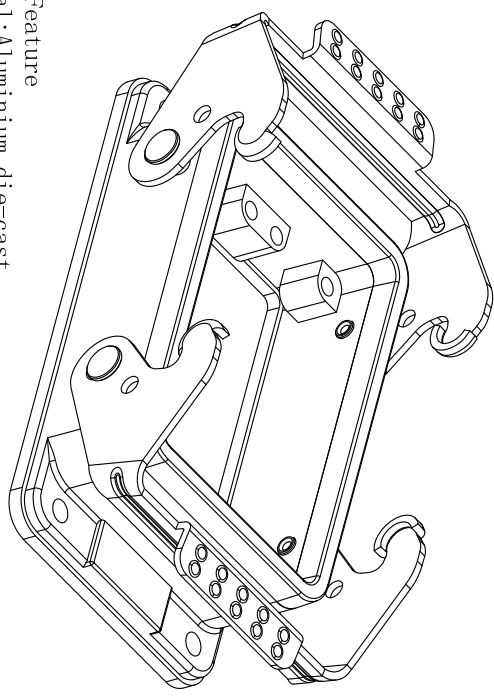
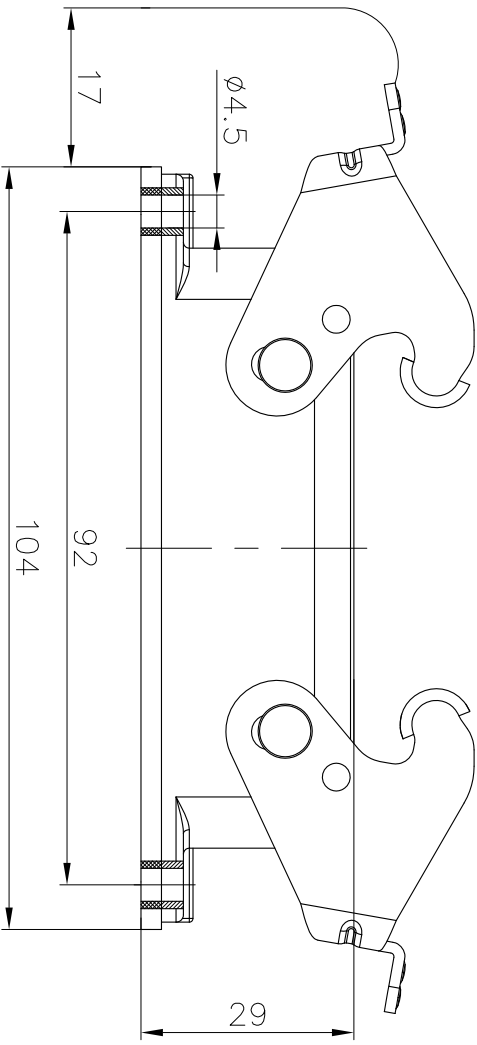
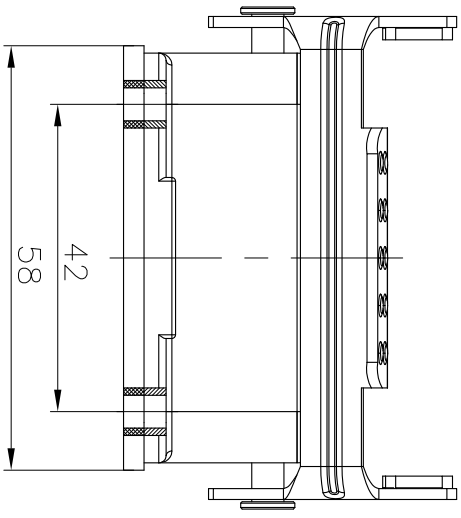


REVISION RECORD			
REV	ECN	DESCRIPTION	DATE



Panel cut out

- Housings Feature
- 01. Material: Aluminium die-cast
 - 02. Surface: Powder-coated
 - 03. Color: grey (RAL 7037)
 - 04. Material: Metal (Lever)
 - 05. Limiting temperatures: $-40^{\circ}\text{C} \sim +125^{\circ}\text{C}$
 - 06. Sealing: NBR
 - 07. Flammability acc to UL94:V0
 - 08. Degree of protection acc. to EN60529 for coupled connector: IP65
 - 09. Rohs Compliance

DETACHED LISTS			
PART NO.:	NINGBO DEGSON ELECTRICAL CO., LTD 宁波高松电子有限公司		
APPR:	NAME:	D32A-BK-2L	
CHKD:			
DRFT: Mr. yong	2016.08.15	TITLE:	CUSTOMER DRAWING
THIRD ANGLE PROJECTION		DRAWING NO.:	
THIRD ANGLE PROJECTION		DO NOT SCALE DRAWING	SCALE
		REV	DO-1
		SHEET	1/1
		SCALE	1:1