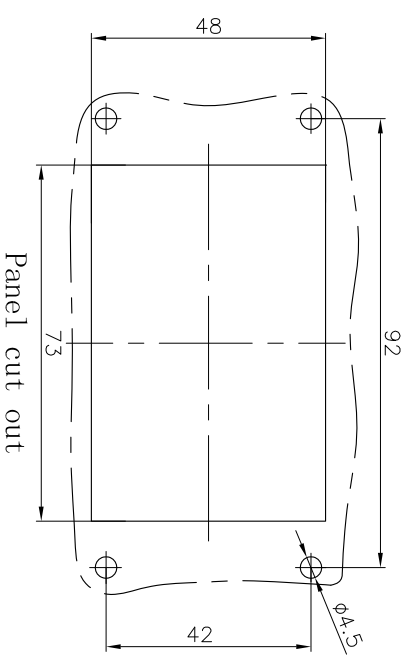
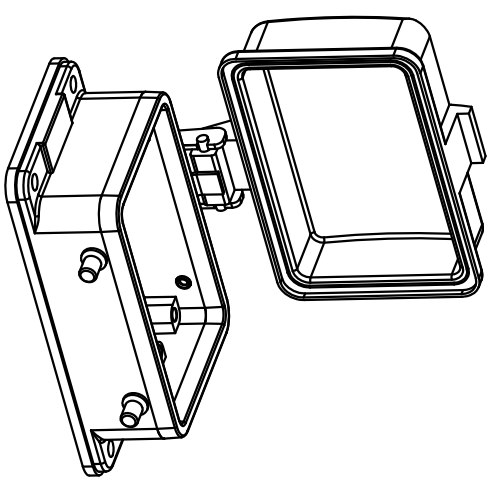
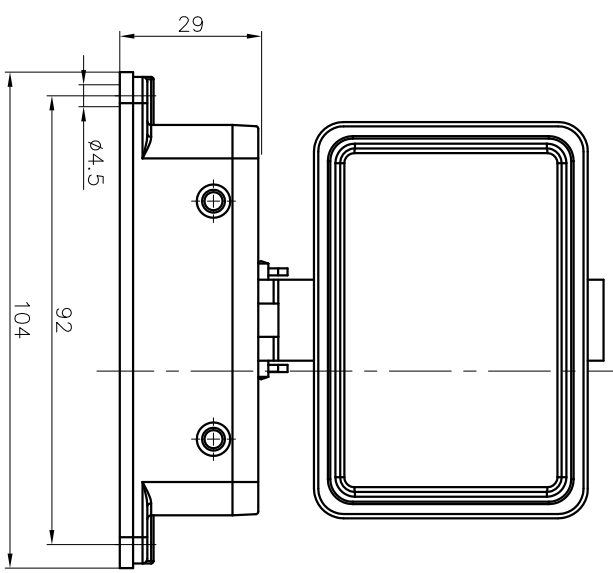
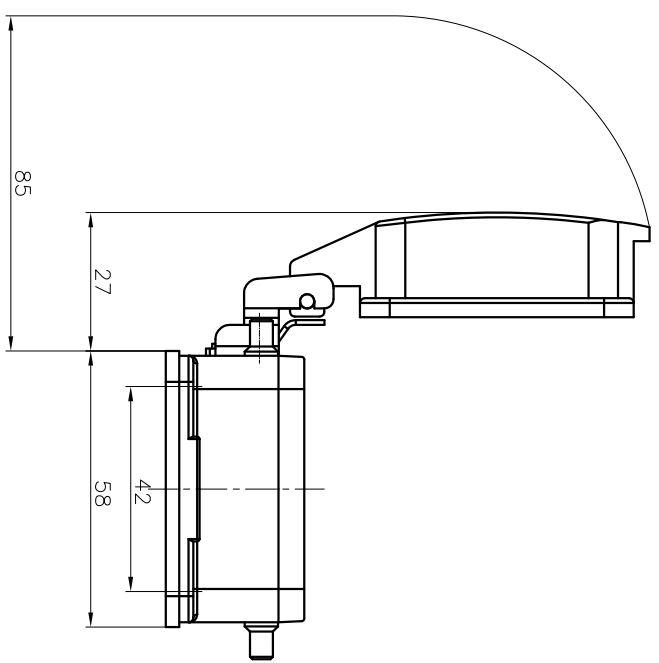


REVISION RECORD				
REV	ECN	DESCRIPTION	DRFT	DATE



- Housings Feature
- 01. Material: Aluminium die-cast
 - 02. Surface: Powder-coated
 - 03. Color: grey (RAL 7037)
 - 04. Protection Covers: Plastic
 - 05. Limiting temperatures: $-40^{\circ}\text{C} \sim +125^{\circ}\text{C}$
 - 06. Sealing: NBR
 - 07. Flammability acc to UL94: V0
 - 08. Degree of protection acc. to EN60529 for coupled connector: IP65
 - 09. Rohs Compliance

DETACHED LISTS			
PART NO.:	DEGSON 宁波高松电子有限公司 NINGBO DEGSON ELECTRICAL CO., LTD		
APPD:	NAME: D32A-BK-4g-CV		
CHKD:	TITLE: CUSTOMER DRAWING		
DRFT: Mr. yong	2016.08.15	DRAWING NO.:	REV
THIRD ANGLE PROJECTION		DO NOT SCALE DRAWING	DO-1
		SCALE	1/1
		SCALE	1:1.5

A 8 7 6 5 4 3 2 1