

REVISION RECORD				
REV	ECN	DESCRIPTION	DRFT	DATE

Technical characteristics:

Specifications  
 DIN EN 60 664-1  
 DIN EN 61 984

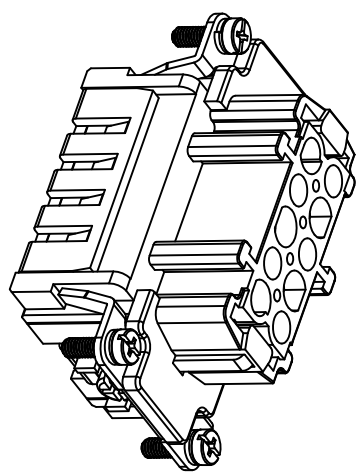
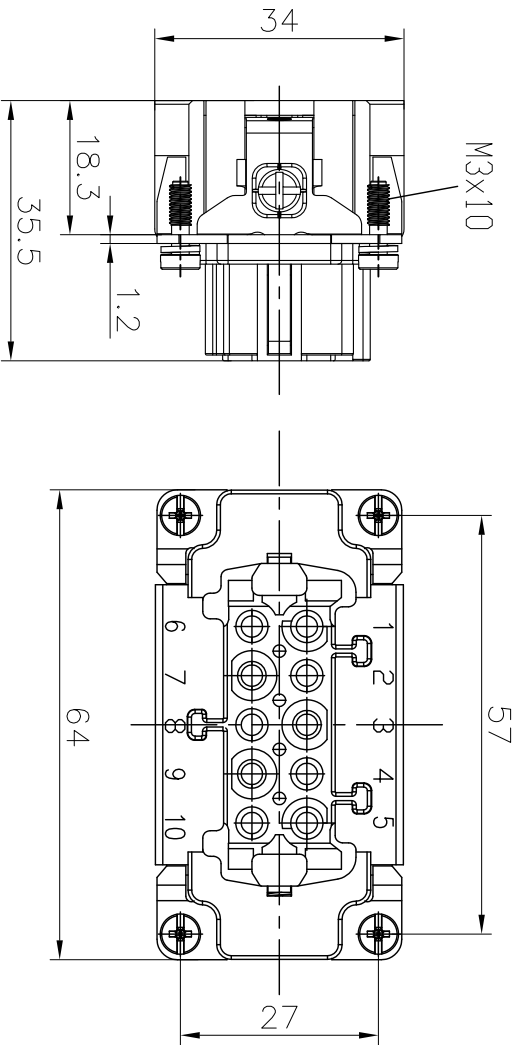
Inserts

- 01. Number of contacts : 10+PE
- 02. Rated Current : 16A
- 03. Rated Voltage : 500V
- 04. Pollution degree : 3
- 05. Rated impulse voltage : 6kV<sup>10</sup>
- 06. Insulation resistance :  $\geq 10^9 \Omega$
- 07. Material: Polycarbonate
- 08. Rated voltage acc. to UL/CSA: 600V
- 09. Limiting temperatures : -40°C ~ +125°C
- 10. Flammability acc. to UL94: V0
- 11. Mechanical working life (mating cycles) :  $\geq 500$

Contacts

- 01. Material: Copper alloy
- 02. Surface: hard-silver plated
- 03. Contact resistance :  $\leq 1m\Omega$
- 04. Terminal : Crimp terminal
- 05. Wire gauge : 0.14-4.0mm<sup>2</sup> (AWG 26-12)
- 06. Stripping length : 7.5mm
- 07. Rohs Compliance

Note: Crimp contact pins should order separately



A 8 7 6 5 4 3 2 1

3

2

1

DETACHED LISTS

PART NO.:	/	NAME:	<b>NINGBO DEGSON ELECTRICAL CO., LTD</b> 宁波高松电子有限公司	
APPD:		TITLE:	CUSTOMER DRAWING	
CHKD:		DRAWING NO.:	/	SHEET
DRFT:	Mr. Yang 2016.08.08	DO NOT SCALE DRAWING	SCALE	1:1
THIRD ANGLE PROJECTION				