

| REVISION RECORD | | | | |
|-----------------|-----|-------------|------|------|
| REV | ECN | DESCRIPTION | DRFT | DATE |
| | | | | |

Technical characteristics:

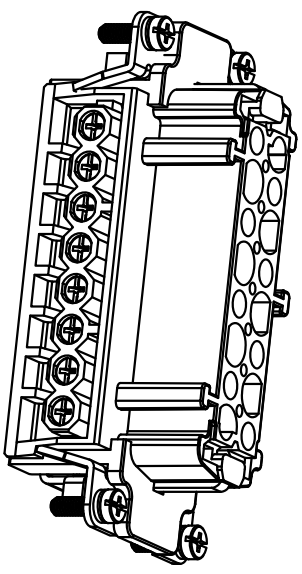
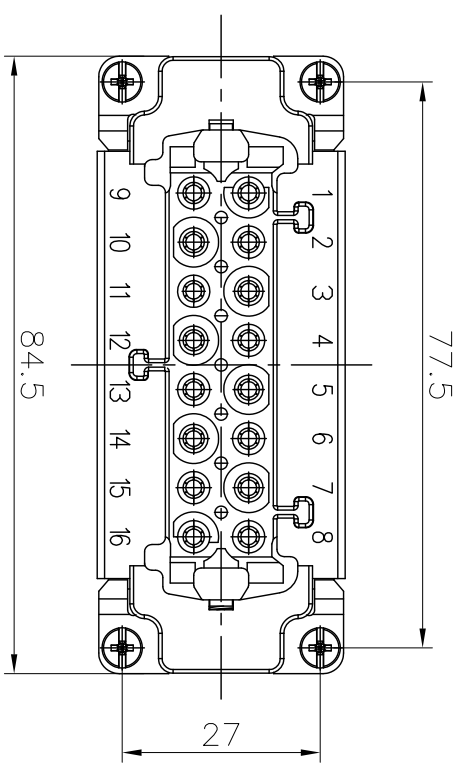
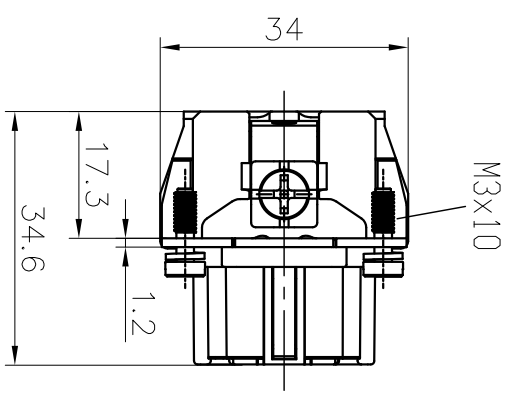
Specifications
 DIN EN 60 664-1
 DIN EN 61 984

Inserts

01. Number of contacts : 16+PE
02. Rated Current : 16A
03. Rated Voltage : 500V
04. Pollution degree : 3
05. Rated impulse voltage : 6kv¹⁰
06. Insulation resistance : $\geq 10^9 \Omega$
07. Material: Polycarbonate
08. Rated voltage acc. to UL/CSA: 600V
09. Limiting temperatures : -40°C ~ +125°C
10. Flammability acc. to UL94: V0
11. Mechanical working life (mating cycles) : ≥ 500

Contacts

01. Material: Copper alloy
02. Surface: hard-silver plated
03. Contact resistance : $\leq 1m\Omega$
04. Terminal : Screw terminal
05. Wire gauge : 1.0-2.5mm² (AWG: 18-14)
06. Tightening torque : 0.5Nm
07. Stripping length : 7.5mm
08. Rohs Compliance



| DETACHED LISTS | | | |
|------------------------|---------------------|-----------------------------------|------------------|
| PART NO.: | / | NINGBO DEGSON ELECTRICAL CO., LTD | |
| APPD: | | NAME: DE-016-F | |
| CHKD: | | NINGBO DEGSON ELECTRICAL CO., LTD | |
| DRFT: | Mr. Yang 2016.08.08 | TITLE: | CUSTOMER DRAWING |
| THIRD ANGLE PROJECTION | | DRAWING NO.: | / |
| | | DO NOT SCALE DRAWING | SCALE |
| | | SCALE | 1:1 |