

REVISION RECORD				
REV	ECN	DESCRIPTION	DRFT	DATE

Technical characteristics:

Specifications  
 DIN EN 60 664-1  
 DIN EN 61 984

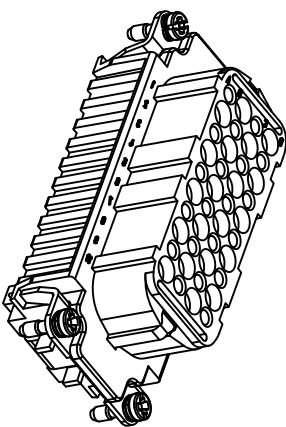
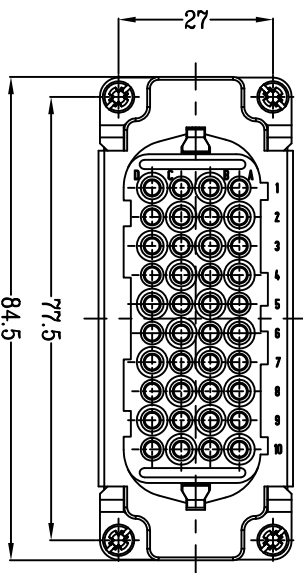
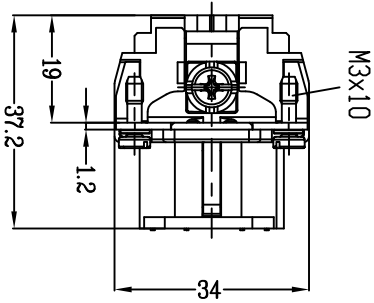
Inserts

01. Number of contacts :40+PE
02. Rated Current :10A
03. Rated Voltage :250V
04. Pollution degree :3
05. Rated impulse voltage :4kv<sup>10</sup>
06. Insulation resistance :≥10Ω
07. Material:Polycarbonate
08. Rated voltage acc. to UL/CSA:600V
09. Limiting temperatures : -40°C~+125°C
10. Flammability acc. to UL94:V0
11. Mechanical working life (mating cycles) : ≥500

Contacts

01. Material:Copper alloy
02. Surface:hard-silver plated
03. Contact resistance : ≤3mΩ
04. Terminal :Crimp terminal
05. Wire gauge : 0.14-2.5mm<sup>2</sup> (AWG 26-14)
06. Stripping length : 8.0mm
07. Rohs Compliance

Note:Crimp contact pins should order separatly



DETACHED LISTS			
PART NO.:	/	NINGBO DEGSON ELECTRICAL CO., LTD	
APPD:		DD-040-FC	
CHKD:		NINGBO DEGSON ELECTRICAL CO., LTD	
DRFT:	YANG	2016.07.25	DD-040-FC-E01
THIRD ANGLE PROJECTION			DO NOT SCALE DRAWING
		SCALE	1/1

A 8 7 6 5 4 3 2 1