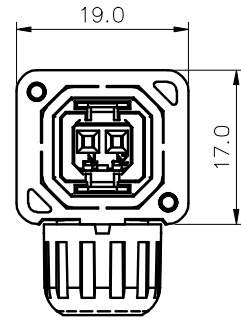
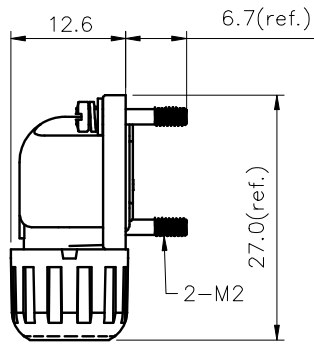
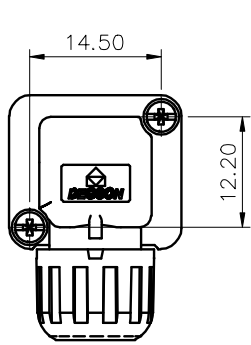


REVISION RECORD

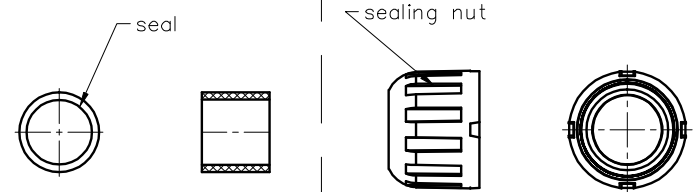
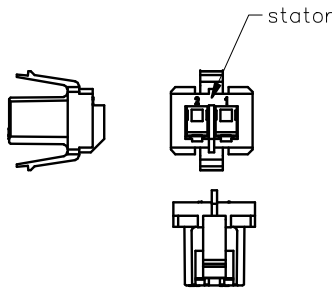
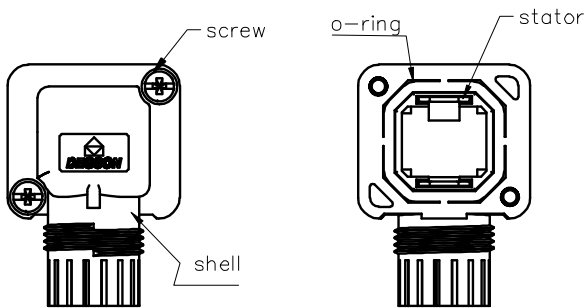
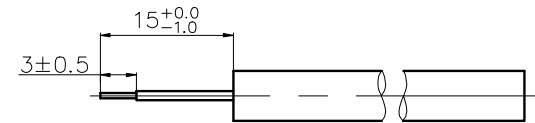
REV	ECN	DESCRIPTION	DRFT	DATE
-----	-----	-------------	------	------



NOTES:

1. Rated voltage/current : 250V / 7A
2. Insulation resistance: >100MΩ
3. Levels of protection: IP67
4. Insulation plastic: PA66
5. Operating temperature: -20°C~+105°C
6. Cable range: φ6.0~φ7.0mm
7. RoHS Compliance
8. Tolerance: .x ±0.25  
.xx ±0.1  
∠ ± 1°

剥线尺寸: Wire stripping:



DETACHED LISTS	PART NO.: DGFA2SB100AH	宁波高松电子有限公司 NINGBO DEGSON ELECTRICAL CO., LTD		
	APPD:	NAME: DGFA2S-B1-00AH		
	CHKD:	TITLE: CUSTOMER DRAWING	REV: T0-1	
	DRFT: HD 2020.07.07	DRAWING NO.: DGFA2S-B1-E01	SHEET: 1/1	
 THIRD ANGLE PROJECTION		MM (INCH)	DO NOT SCALE DRAWING	SCALE: 1:1