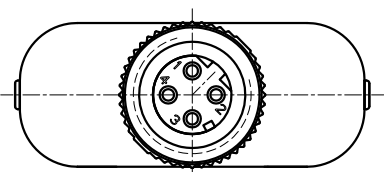
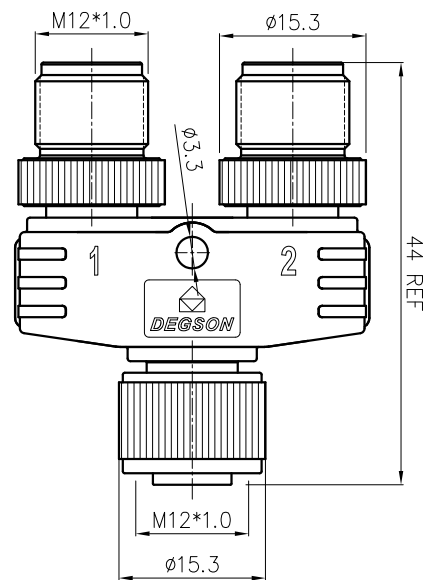
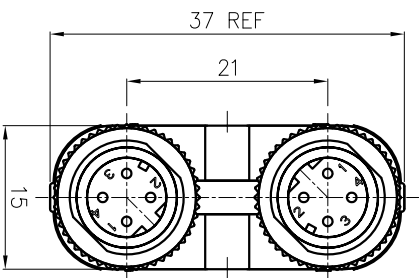
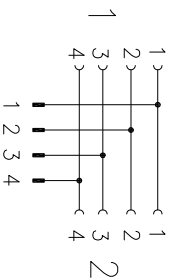


REVISION RECORD			
REV	ECN	DESCRIPTION	DWFT DATE



Circuit diagram:



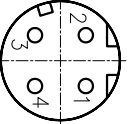
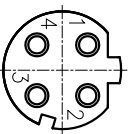
NOTES:

1. RoHS Compliance,
2. The Code direction is shown as diagram,
3. Housing material: PU (Color: black),
4. Contact body material: PU (Color: black),
5. Contact material: Copper alloy; (plating: gold)
6. O Ring material: Silicone; (Color: green)
7. Screw material: Zinc alloy (plating: Ni),

Technique parameter

Rated voltage	250V
Rated current	4A
Insulation resistance	≥100MΩ
Withstanding voltage	800V AC
Operating temperature	-25°C~+85°C
Levels of protection	IP67
Cable OD	/

Female(Front view) Male(Front view)



Dimensional tolerance (mm)

≤30	30 ~ 60	60 ~ 100	100 ~ 150	>150
±0.20	±0.30	±0.50	±0.70	±1.00

DETACHED LISTS

PART NO.:	FYM12D04FM12D04MT0100
APPD:	
CHKD:	
DWFT:	WYM 2019/05/23
THIRD ANGLE PROJECTION	

NAME:	DEGSON 宁波高松电子有限公司 NINGBO DEGSON ELECTRICAL CO., LTD
TITLE:	ASSEMBLY DRAWING
DRAWING NO.:	20000782
REV	TO-1
SHEET	1/1
SCALE	1:1

A

7

6

5

4

3

2

1

A

B

C

D

E

F

G

H