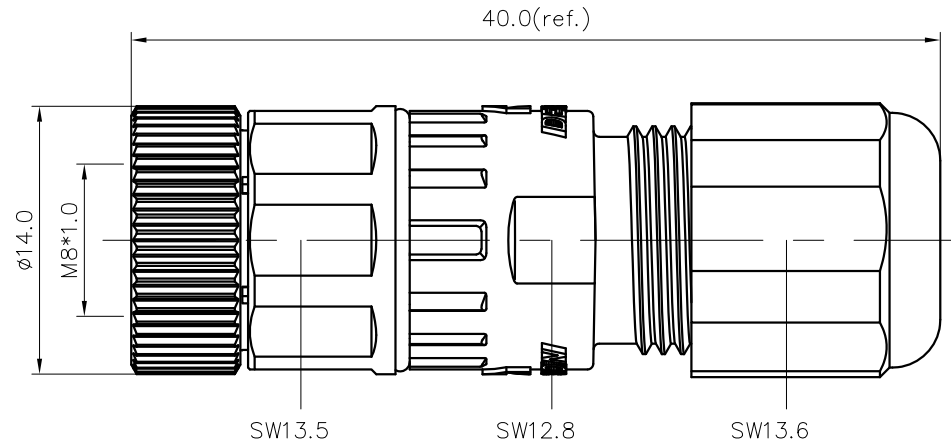
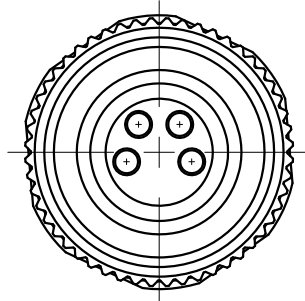


REVISION RECORD

REV	ECN	DESCRIPTION	DRFT	DATE
-----	-----	-------------	------	------



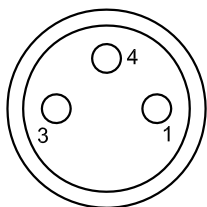
PB-M8A-XXP-FF-SL7001-00A(H)

Pin number: 03,04

NOTES:

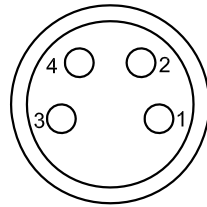
- Rated voltage/current : 3pin: 60V / 3A
4pin: 60V / 3A
- Withstanding voltage : 3,4pin: AC850V/1Min
- Levels of protection: IP67
- Wire range : 3pin: 24~22AWG/0.25~0.34mm²
4pin: 24~22AWG/0.25~0.34mm²
- Cable range : 4~6mm
- Wire connection mode: screw
- Operating temperature: -40°C~+85°C
- RoHS Compliance
- Tolerance : ±0.5mm

3pin A Coding



Pin Assignment Front View

4pin A Coding



Pin Assignment Front View

DETACHED LISTS	PART NO.: PBM8AXXPFFSL700100AH		宁波高松电子有限公司 NINGBO DEGSON ELECTRICAL CO., LTD		
	APPD:	NAME:	PB-M8A-XXP-FF-SL7001-00A(H)		
	CHKD:	DRFT:	TITLE:	CUSTOMER DRAWING	
	DRFT:	SQ 2019.05.17	REV	D0-1	
 THIRD ANGLE PROJECTION		DRAWING NO.:	XXXXXXXX-XX-CXX	SHEET	1/1
		MM (INCH)	DO NOT SCALE DRAWING	SCALE	1:1