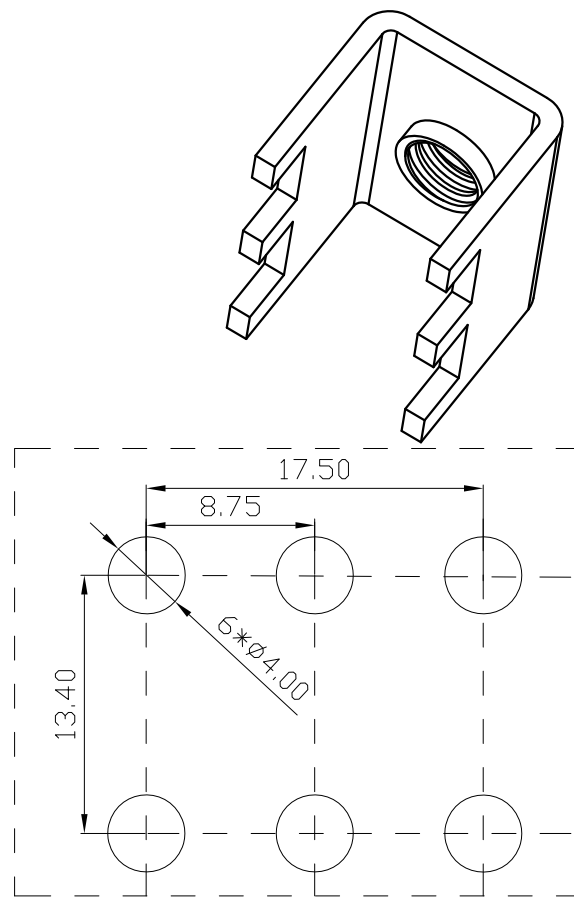
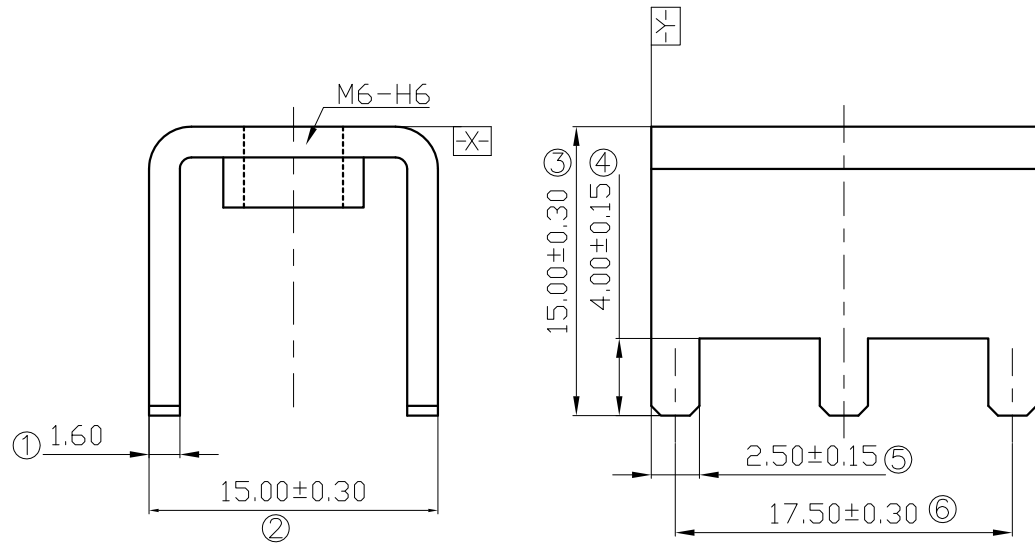


REVISION RECORD				
REV	ECN	DESCRIPTION	DRFT	DATE



NOTES:
 1.MATERIAL: COPPER
 2.TORQUE VALUE:M6.18Kgf.cmo
 3.RATED CURRENT:115A
 4.SURFACE PLATING: Sn
 5.UNDIMENSIONED TOLERANCES:

PITCH RANGE IN MM		NOMINAL DIMENSION RANGE IN MM						
TO	OVER	TO	OVER	TO	OVER	TO	OVER	
6	10	10	24	30	60	100	150	∩
±0.10	±0.15	±0.25	±0.20	±0.30	±0.50	±0.70	±1.00	◇

ITEM	NAME OF PART	NO.OF PART	Q"TY	MATERIAL	NOTES
1	K36-pin header	C3610	1	Copper	Sn-plated

DETACHED LISTS	TOLERANCES EXCEPT AS NOTED .X ± .X' ± .XX ± .XX' ± .XXX ± .XXX' ±	MATERIAL:	宁波高正电子有限公司 DEGSON ® DEGSON ELECTRONICS CO., LTD		
	FINISH:	NAME: K36-00A (H)			
	ANGLES ± 1°	APPD:	TITLE: ASSEMBLY DRAWING	REV	TO
	THIRD ANGLE PROJECTION	CHKD:	DRAWING NO.: K36-E01	DO NOT SCALE DRAWING	SCALE
	DRFT: Apple 03/08/14"			SHEET	1/1

H
G
F
E
D
C
B
A

H
G
F
E
D
C
B
A