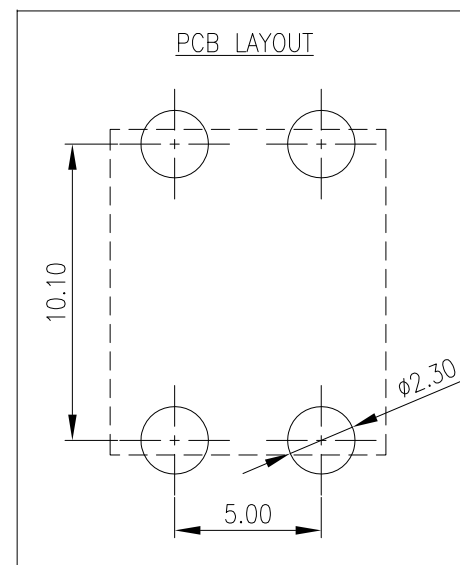
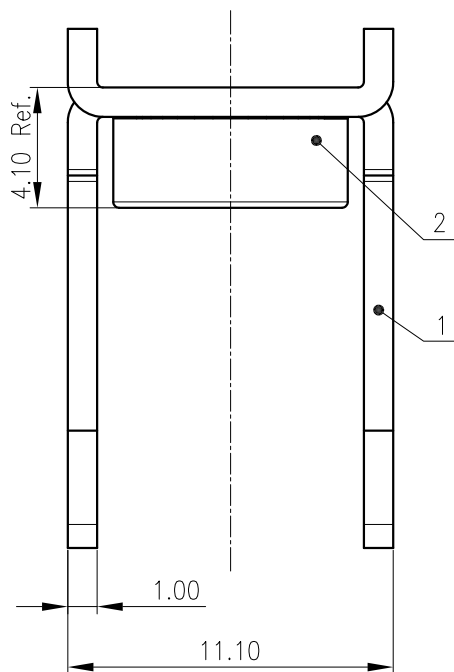
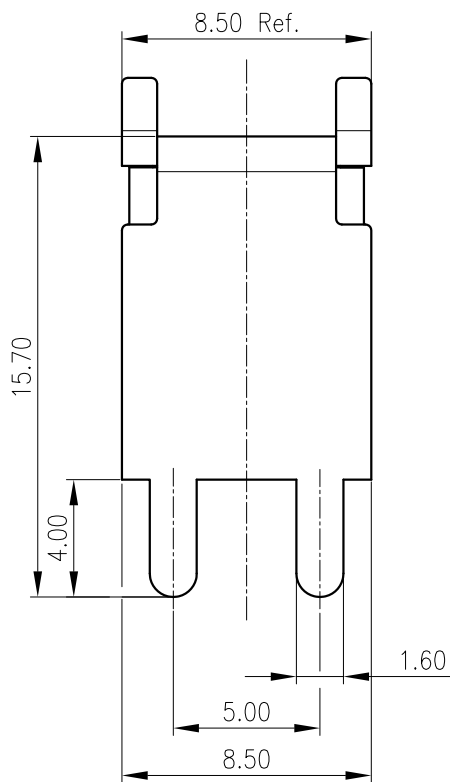
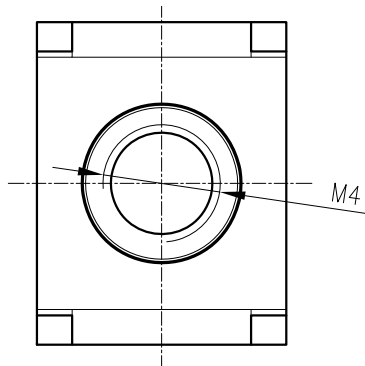


未注公差/General tolerances(mm)												0.1/10	
0	>3	>6	>10	>18	>30	>50	>80	>120	>180	>250	>315		>400
~3	~6	~10	~18	~30	~50	~80	~120	~180	~250	~315	~400	~500	~2.50
±0.12	±0.18	±0.22	±0.26	±0.31	±0.37	±0.57	±0.80	±0.93	±1.05	±1.15	±1.60	±2.20	±2.50



2	Nut	Steel	M4/Zn Plated
1	Pin header	Copper alloy	Matte Sn Plated
ITEM	NAME OF PART	MATERIAL	NOTES
电流/Current(A)			30
螺丝扭矩/Torque Tightening(N·m/Lb.in)			M4, 1.6/14.18
符合RoHS环保要求/Conform to RoHS			Yes

MATERIAL:	/	SURFACE:	/
MAT NO.:	/	宁波高松电子有限公司 NINGBO DEGSON ELECTRICAL CO., LTD	
STATUS:	/		
APPD:		NAME: K48-700A(H)	
CHKD:			
DRFT: XieXD 2021.02.02	DRAWING NO.: 10004375	REV	TO
SIZE: A4	TYPE: CUSTOMER DRAWING	SCALE: 4:1	SHEET 1/1

Transfer or duplication of this document as well as the utilization or communication of its contents are prohibited unless explicit authorization is granted. Violations will be liable for compensation. All rights reserved for patent, utility, model or designs registrations. 除非给予明确授权，否则禁止转让、复制、利用、交易本文件的内容。侵犯者将承担法律责任。本公司保留对涉及发明、实用新型和外观设计的所有权利。

REV	ECN	DESCRIPTION	DRFT	DATE