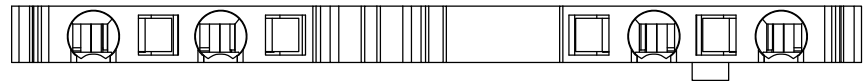
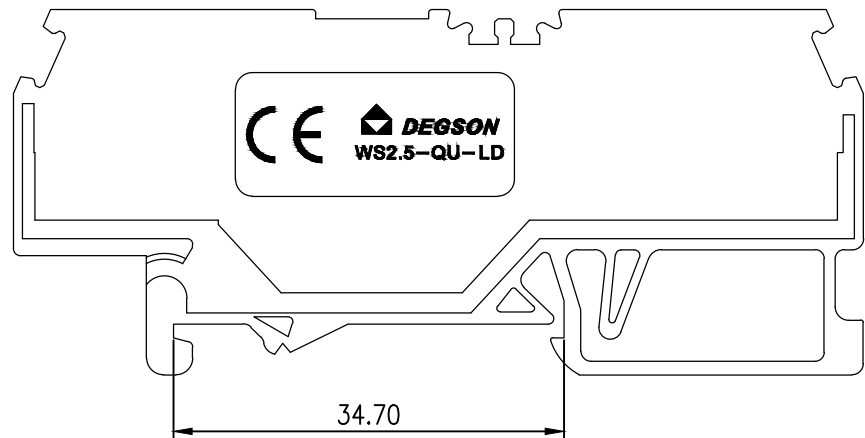
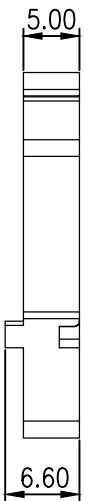
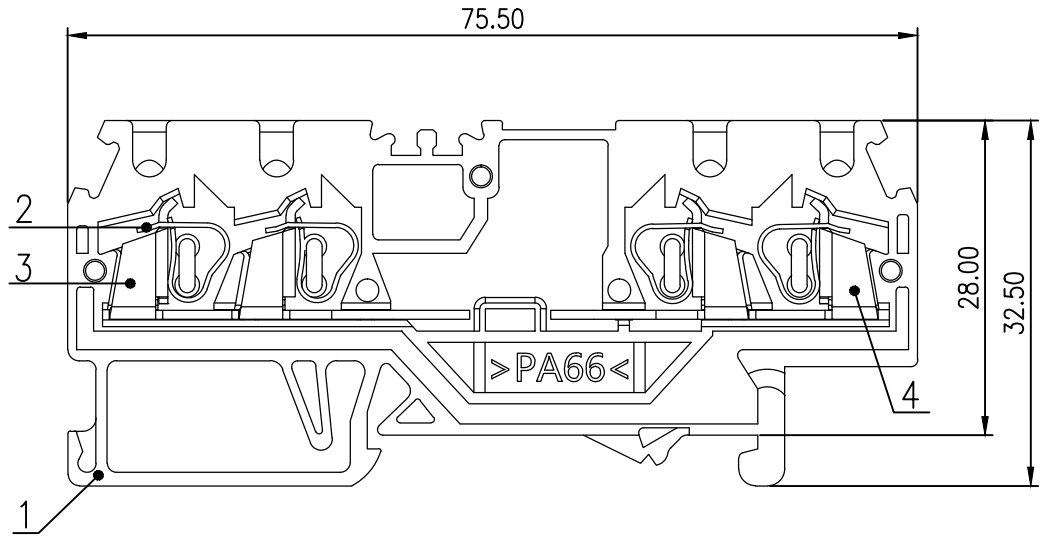


未注公差/General tolerances(mm)												0.1/10			
0	>3	>6	>10	>18	>30	>50	>80	>120	>180	>250	>315	>400	>500	0.1/10	±2'
~3	~6	~10	~18	~30	~50	~80	~120	~180	~250	~315	~400	~500			
±0.12	±0.18	±0.22	±0.26	±0.31	±0.37	±0.57	±0.80	±0.93	±1.05	±1.15	±1.60	±2.20	±2.50		
UL 标准/UL Standard:												B	C	D	
额定电压/电流/Rated Voltage(V)/Current(A)												/	/	/	
IEC 标准/IEC Standard:															
过压类别/Overvoltage Category/污染等级/Pollution Degree												III/3	III/2	II/2	
额定电压/电流/Rated Voltage(V)/Current(A)												250/0.5	/	/	
最大逆向耐压/Reverse Voltage(KV)												1	/	/	
线径范围(硬线和软线)/Wire Range(rigid and flexible)(mm <sup>2</sup> /AWG)												0.2~2.5/28~14			
间距/Pitch(mm)												5.0			
剥线长度/Stripping length(mm)												9			
使用温度范围/Operating temperature(°C)												-40~+105			
符合RoHS环保要求/Conform to RoHS												Yes			

A



B



C

D

4	Current carrier 2	Copper	Sn plated
3	Current carrier 1	Copper	Sn plated
2	Spring	Stainless steel	
1	Housing	PA66	UL94V-0
ITEM	NAME OF PART	MATERIAL	NOTES

MATERIAL: /		SURFACE: /	
MAT NO.: /		宁波高松电子有限公司 NINGBO DEGSON ELECTRICAL CO., LTD	
STATUS: /			
APPD: Li GL 2020.10.16		NAME: WS2.5-QU-LD-01P-1Y-110A(H)	
CHKD: Mao J 2020.10.16		DRAWING NO.: 11000318	
DRFT: Cen Ch 2020.10.16		REV	DO-1
REV	ECN	DESCRIPTION	DRFT DATE
SIZE: A4		TYPE: CUSTOMER DRAWING	SCALE: 1.5:1 SHEET 1/1