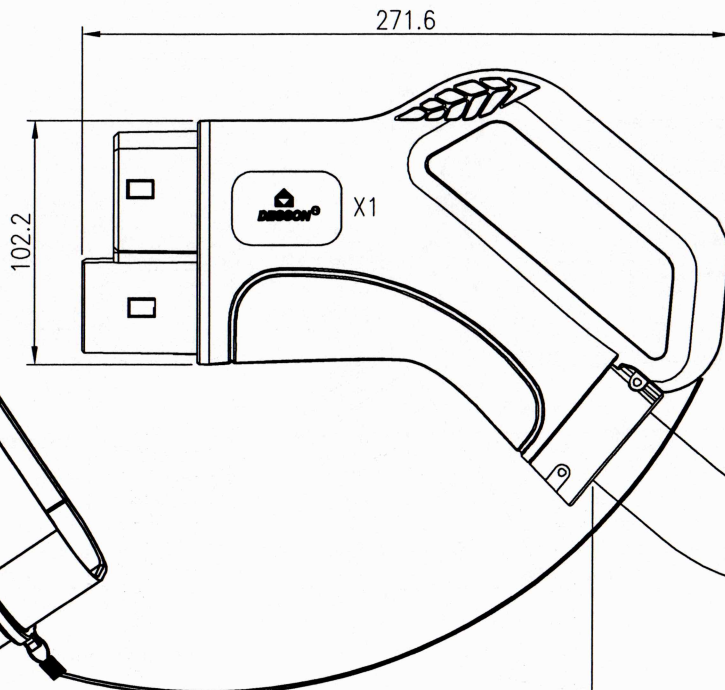
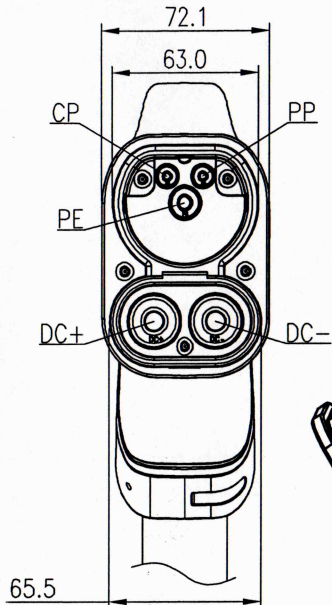
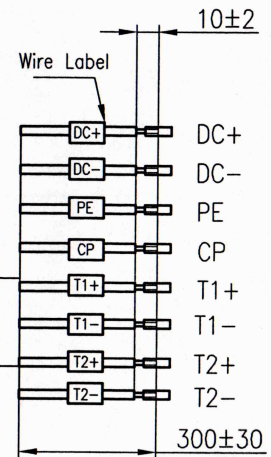


未注公差/General tolerances(mm)

0	>3	>6	>10	>18	>30	>50	>80	>120	>180	>250	>315	>400	>500	0.1/10 ±2'
~3	~6	~10	~18	~30	~50	~80	~120	~180	~250	~315	~400	~500		
±0.12	±0.18	±0.22	±0.26	±0.31	±0.37	±0.57	±0.80	±0.93	±1.05	±1.15	±1.60	±2.20	±2.50	

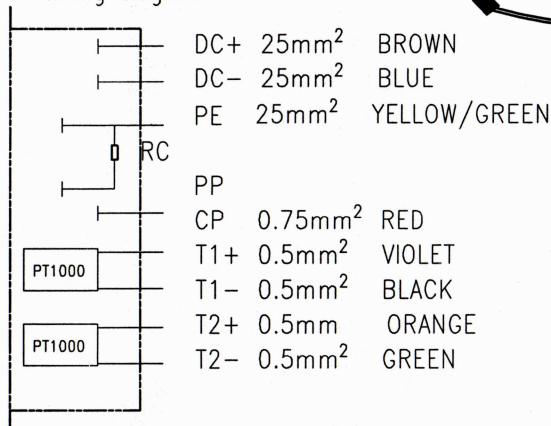


X1 Laser Printing Front Note:
DEGSON®
 Laser Printing Back Note (Arial) :
MEDC-T-80A-V-03-5.0M-30AH
80A 1000V DC
IEC 62196-3:2014
IP54
20xxxxxx-xxxx



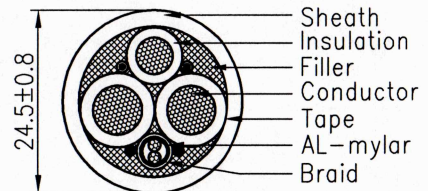
5000±100
 (The Straighten Measurement)

Wiring diagram



RC=1500Ω±3%

A-A



额定电压/Rated Voltage	1000V DC;80A
绝缘电阻/Insulate Resistance	>500MΩ,1000V DC 1min DC+, DC- and PE, 3500V AC 1min
耐压/Withstanding Voltage	DC+ and DC- 3500V AC 1min PP and CP ,1500V AC 1min
防护等级/Ingress Protection	IP54
插拔寿命/Insertion/Pullout Times	10,000 Times
插拔力/Insertion/Pullout Force	<100N
使用温度范围/Operating temperature(°C)	-30°C~+50°C
线材规格/Cable specification	3*25mm ² +P(2*0.75mm ²)+4*0.5mm ² Black
标准/Reference standard	IEC 62196-3:2014
符合RoHS环保要求/Conform to RoHS	Yes

MATERIAL: /	SURFACE: /		
MAT NO.:	宁波高松电子有限公司 NINGBO DEGSON ELECTRICAL CO., LTD		
STATUS: /			
APPD:	NAME:		
CHKD: G0WY2022.4.26	MEDC-T-80A-V-03-5.0M-30A(H)		
DRFT: Hu MY 2022.04.26	DRAWING NO.:	REV	DO-1
⊕ ⊖ SIZE: A4	TYPE: CUSTOMER DRAWING	SCALE: 1:3	SHEET 1/1

REV	ECN	DESCRIPTION	DRFT	DATE

Transfer or duplication of this document as well as the utilization or communication of its contents are prohibited unless explicit authorization is granted. Violations will be liable for compensation. All rights reserved for patent, utility model or designs registrations. 除非经书面明确授权，否则禁止复制、利用、交派本文件的内容，侵犯者将承担赔偿责任。本公司保留对涉及发明、实用新型和外观设计的所有权利。