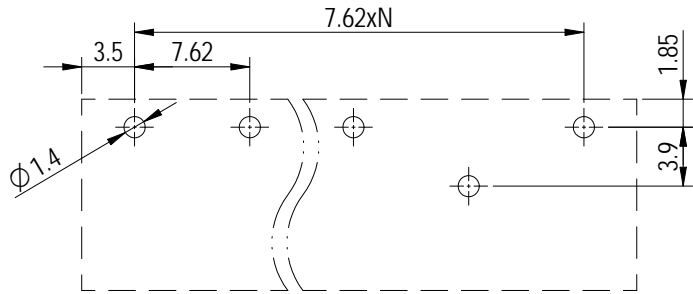
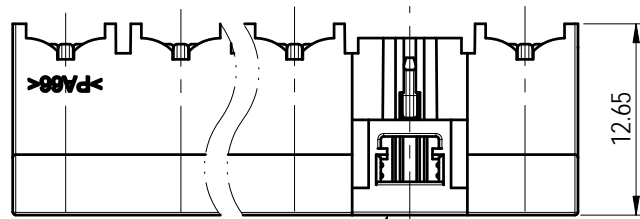
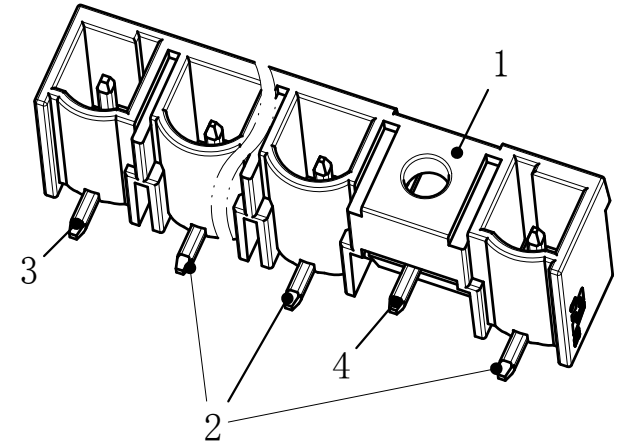


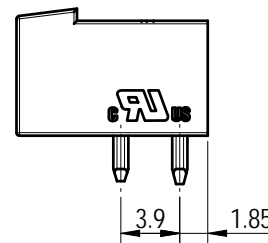
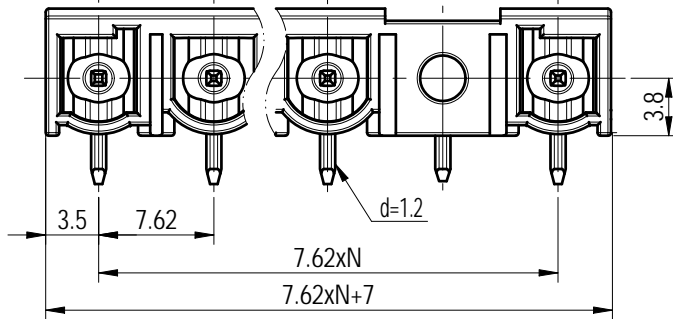
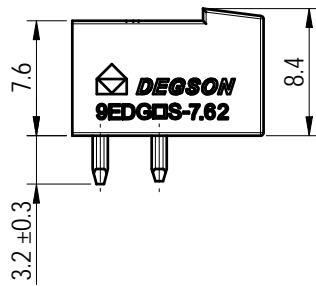
PCB LAYOUT



未注公差/General tolerances (mm)													0.1/10	
0	>3	>6	>10	>18	>30	>50	>80	>120	>180	>250	>315	>400		>500
±0.12	±0.18	±0.22	±0.26	±0.31	±0.37	±0.57	±0.80	±0.93	±1.05	±1.15	±1.60	±2.20	±2.50	±2'



Lx: Refers to the fixed position in the X position from left to right



ITEM	NAME OF PART	MATERIAL	NOTES
4	Locating pin	Copper alloy	Sn plated
3	Leading pin	Copper	Sn plated
2	Pin	Copper	Sn plated
1	Housing	PA	UL94V-0

UL 标准/UL Standard:	B	C	D
额定电压/电流/Rated Voltage(V)/Current(A)	300/20	300/20	600/5
IEC 标准/IEC Standard:	III/3	III/2	II/2
过压类别/Overvoltage Category/污染等级/Pollution Degree	III/3	III/2	II/2
额定电压/电流/Rated Voltage(V)/Current(A)	400/29	500/29	630/29
额定脉冲电压(KV)/Rate Impulse Voltage(KV)	6	6	4
间距/Pitch(mm)/线数范围/Poles	7.62/N=3-6P		
使用温度范围/Operating temperature(°C)	-40~+105		
符合RoHS环保要求/Conform to RoHS	Yes		

DEGSON

APPD: 兰春华 2023.05.15
 CHKD: 陈招 2023.05.15
 DRFT: 巴宇辉 2023.05.15

MATERIAL:	SURFACE/COLOR:		
MAT NO./REV: - / 00	MAT STATUS: 小批量		
NAME 9EDGRS-7.62-GL-Lx-XXP-1Y-00Z(H)			
DRAWING NO. 200114237	TYPE CUSTOMER DRAWING	DRAWING STATUS work	SHEET 1/1

REV	ECN	DESCRIPTION	DRFT	DATE
00				

Transfer or duplication of this document as well as the utilization or communication of its content are prohibited unless authorized in writing by Degson Electronics Co., Ltd. All rights reserved for patent. 除专利声明外，其他内容均受法律保护。未经许可，不得复制或传播。如有侵权，必究。