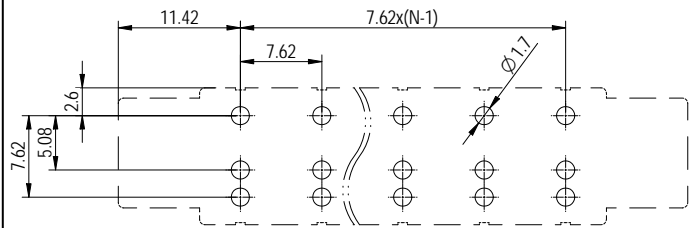
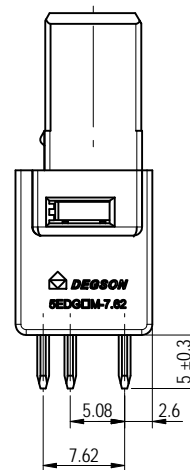
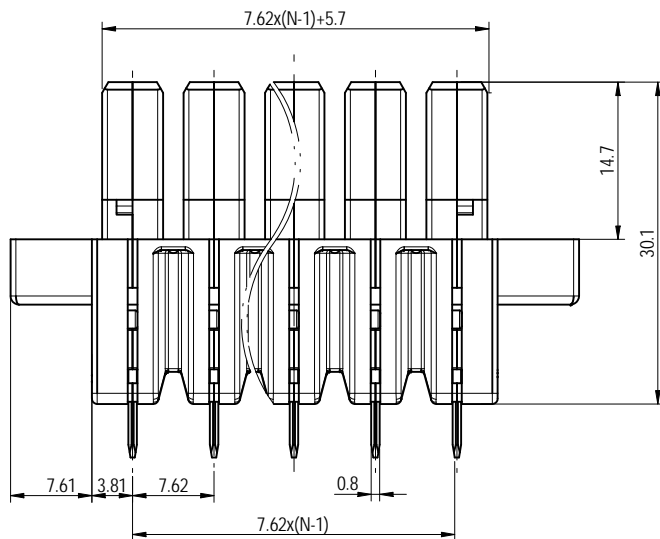
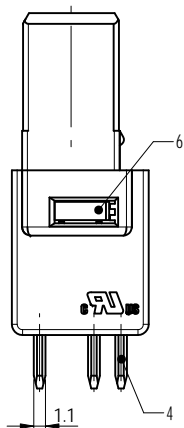
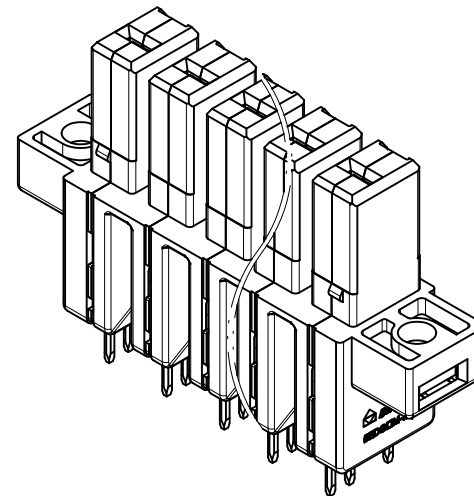
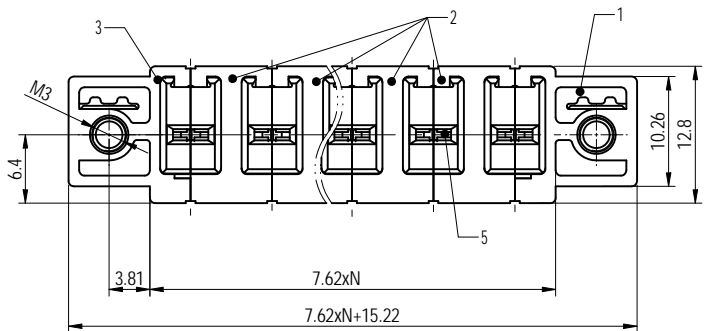


PCB LAYOUT



公差/General tolerances (mm)											D			
0	>3	>6	>10	>18	>30	>50	>80	>120	>180	>250	>315	>400	>500	0.1/10
~	~	~	~	~	~	~	~	~	~	~	~	~	~	±2
±0.12	±0.18	±0.22	±0.26	±0.31	±0.37	±0.57	±0.80	±0.93	±1.05	±1.15	±1.60	±2.20	±2.50	±2



ITEM	NAME OF PART	MATERIAL	NOTES
6	Nut	Steel	M3/Zn Plated
5	Spring	Stainless steel	/
4	Clamp	Copper alloy	Sn Plated
3	Side Housing2	PA66	UL94V-0
2	Mid Housing	PA66	UL94V-0
1	Side Housing1	PA66	UL94V-0

UL 标准/UL Standard:				B	C	D
额定电压/电流/Rated Voltage(V)/Current(A)				300/41	300/41	600/5
IEC 标准/IEC Standard:						
过电压类别/Overvoltage Category/污染等级/Pollution Degree				III/3	III/2	II/2
额定电压/电流/Rated Voltage(V)/Current(A)				630/41	800/41	1000/41
额定脉冲电压/Rate Impulse Voltage(KV)				6	6	6
螺丝扭矩/Torque Tightening(N.m/b.in)				M3: 0.9/7.9		
间距/Pitch(mm)/线数范围/Poles				7.62/N=02~12P		
使用温度范围/Operating temperature(°C)				-40~+105		
符合RoHS环保要求/Conform to RoHS				Yes		

DEGSON		MATERIAL:		SURFACE/COLOR:	
APPD: 竺春华	2023.09.01	NAME:	5EDGBM-7.62-XXP-1Y-00Z(H)		
CHKD: 姜耀志	2023.09.01	MAT NO./REV: - /00	MAT STATUS: 批量		
DRFT: 周伟德	2023.08.31	DRAWING NO.:	200021489	TYPE:	CUSTOMER DRAWING
REV:	ECN:	DESCRIPTION:	DRFT:	DATE:	DRAWING STATUS: 已发布
00			周伟德	2023.08.31	SCALE: 1:1
					SHEET: 1/1

REV	ECN	DESCRIPTION	DRFT	DATE
00			周伟德	2023.08.31

Transfer or duplication of this document as well as the utilization of its contents without the written consent of DEGSON is prohibited. All rights reserved for patent. 未经授权复制或传播本文件及其内容，或未经许可使用其内容，均属侵权行为。DEGSON 保留所有权利。未经许可复制或传播本文件及其内容，均属侵权行为。