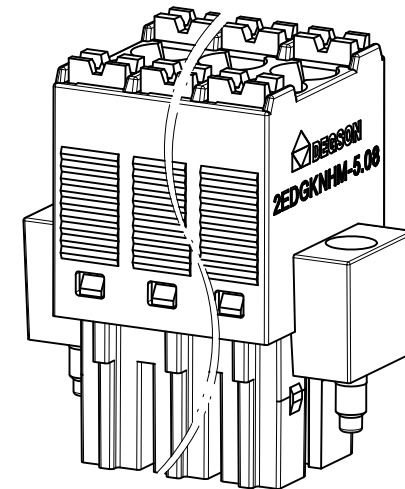
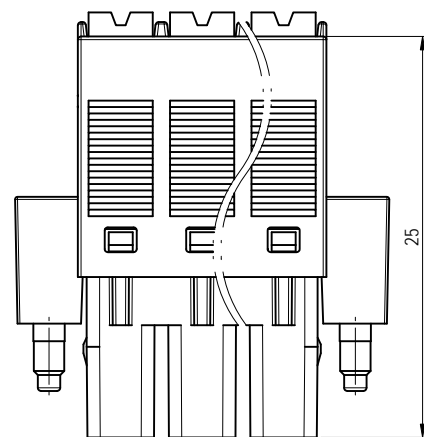
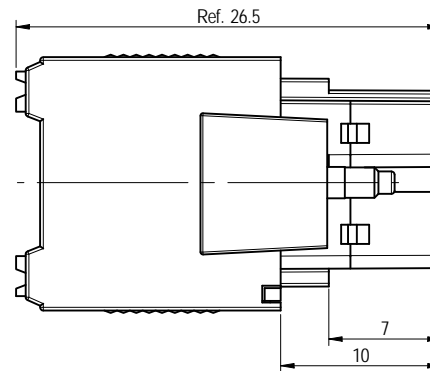
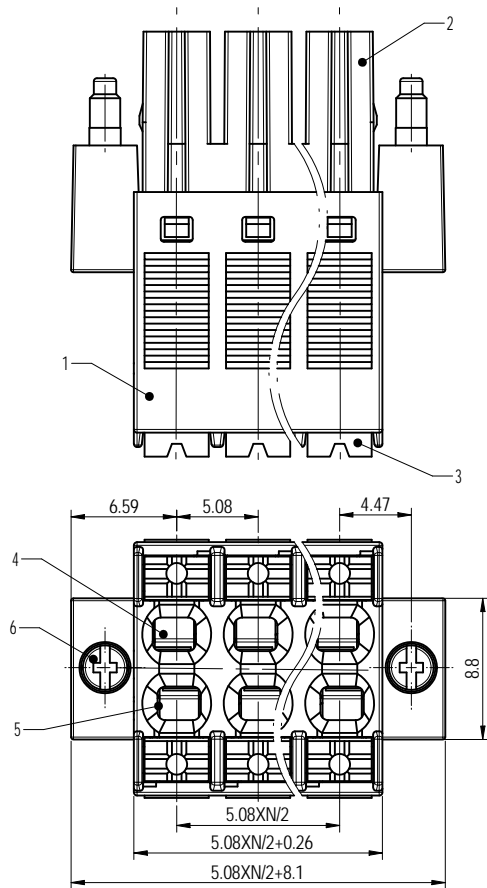
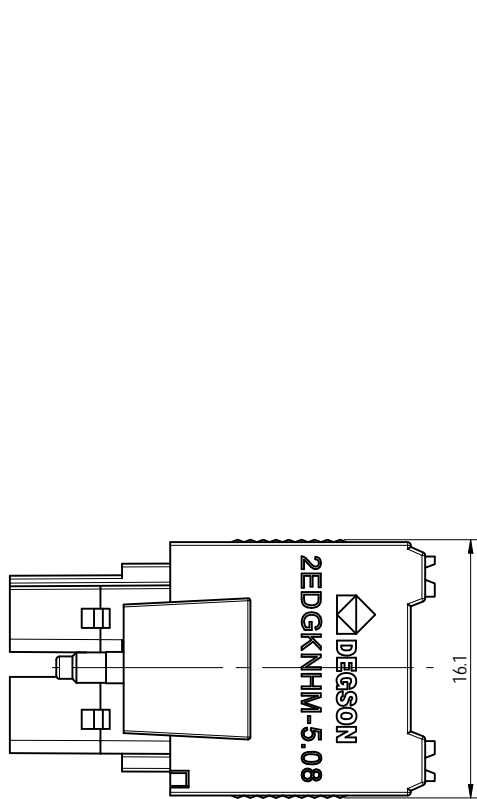


公差/General tolerances (mm)											D				
0	>3	>6	>10	>18	>30	>50	>80	>120	>180	>250	>315	>400	>500	0.1/10	
~	3	6	10	18	30	50	80	120	180	250	315	400	500		
±0.12	±0.18	±0.22	±0.26	±0.31	±0.37	±0.57	±0.80	±0.93	±1.05	±1.15	±1.60	±2.20	±2.50	±2	



ITEM	NAME OF PART	MATERIAL	NOTES
6	Screw	Steel	M2/Zn plated
5	Spring	Stainless steel	/
4	Clamp	Copper alloy	Sn plated
3	Button	PA66+GF	UL94V-0
2	Cover	PA66	UL94V-0
1	Housing	PA66	UL94V-0

UL 标准/UL Standard:	B	C	D
额定电压/电压/Rated Voltage(V)/Current(A)	300/10	/	300/10
IEC 标准/IEC Standard:			
过压类别/Overvoltage Category/污染等级/Pollution Degree	III/3	III/2	II/2
额定电压/电压/Rated Voltage(V)/Current(A)	250/8	400/8	630/8
额定脉冲电压(KV)/Rate Impulse Voltage(KV)	4	4	4
线径范围(硬线和软线)/Wire Range(rigid and flexible)(AWG/mm <sup>2</sup> )	24~16 / 0.2~1.5		
螺丝扭矩/Torque Tightening(N·m/Lb.in)	M2(0.15~0.2)/1.77		
间距/Pitch(mm)/线数范围/Poles	5.08/N=04~28P		
剥线长度/Stripping length(mm)	8~10		
使用温度范围/Operating temperature(°C)	-40~+105		
符合RoHS环保要求/Conform to RoHS	Yes		

DEGSON		MATERIAL:	SURFACE/COLOR:	
APPD: 兰春华	2023.06.29	MAT NO./REV:	/	00
CHKD: 陈滔	2023.06.29	NAME:	2EDGKNHM-5.08-XXP-1Y-00A(H)	
DRFT: 姜徐涛	2023.06.29	DRAWING NO.:	200033747	CUSTOMER DRAWING
REV: 00	ECN:	DATE:	2023.06.29	DRAWING STATUS: 已发布
		DRFT:	A3	SCALE: 5:1
		DATE:	2023.06.29	SHEET: 1/1

REV	ECN	DESCRIPTION	DRFT	DATE	SCALE	SHEET
00			姜徐涛	2023.06.29	5:1	1/1

Transfer or duplication of this document as well as the utilization of its contents without the written consent of DEGSON is prohibited. All rights reserved for patent. 本文件及其中所载之内容，未经DEGSON公司书面同意，不得擅自复制或传播。DEGSON公司保留所有权利。如有侵权，本公司将依法追究法律责任。